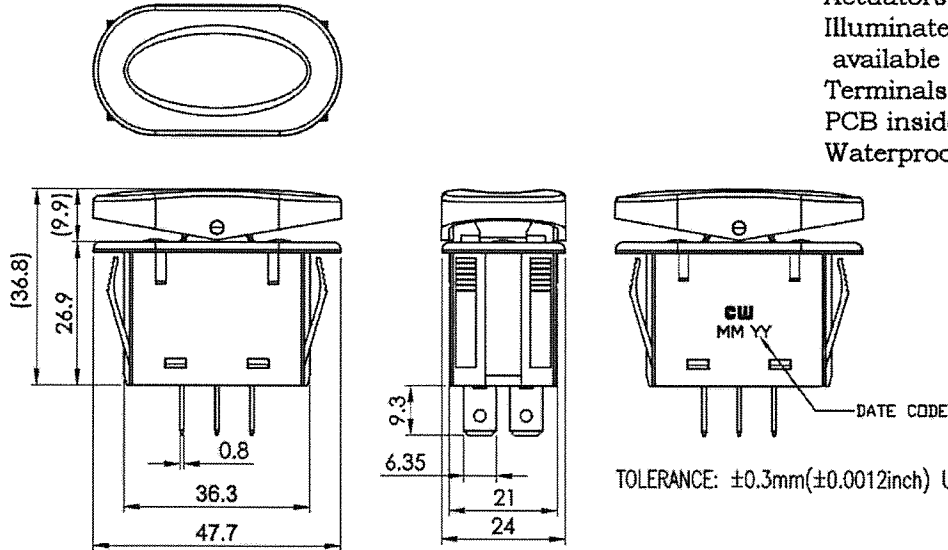


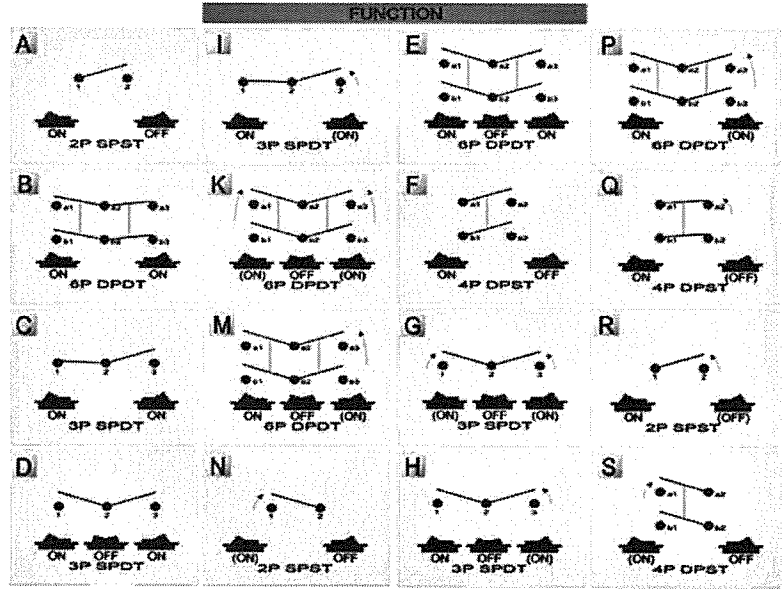
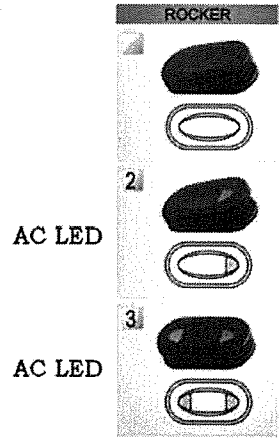
THIS INFORMATION IS CONFIDENTIAL AND PROPRIETARY TO CW INDUSTRIES INCORPORATED AND ITS AFFILIATES. IT MAY NOT BE DISCLOSED TO ANYONE OTHER THAN CW INDUSTRIES PERSONNEL, WITHOUT WRITTEN AUTHORIZATION FROM CW INDUSTRIES INCORPORATED, SOUTHAMPTON, PENNSYLVANIA USA.

Rating	20A 125VAC 10A 250VAC	Mounting Hole	Circuit Diagram		
	21A 14VDC				
Contact Resistance	50m ohm Max.		SEE CHART		
Insulation Resistance	DC 500V 100M ohm Min.				
Dielectric Strength	AC 1500V 1 minute				
Operation Temperature	-20°C~85°C	Thickness		X	Y
Switch Function	SEE CHART	0.75~1.25		21.2+0.1	36.6+0.1
		1.25~2		21.2+0.1	36.8+0.1
		2~3	21.2+0.1	37.0+0.1	

Frames are Black, nylon (UL flame: 94V-2).
 Actuators are Black, nylon #66 + 30%GF
 Illuminated actuators are molded in PC,
 available in Red, Amber or Green colors.
 Terminals are silver plated brass.
 PCB inside.
 Waterproof and dustproof to fit IP-66.



TOLERANCE: ±0.3mm(±0.0012inch) UNLESS OTHERWISE SPECIFIED.



TERMINAL
 0.1 250° SQ

() = Momentary Function

RoHS Compliant

CW INDUSTRIES
 Southampton, Pa. 18966
 Tel 215.355.7080/www.cwind.com

Date Drawn: 1/25/11

Rev. 0

Unit: mm

Checked By: G.Guld

Title: **ROCKER SWITCH**

CW P/N: **GRB271XSERIES**