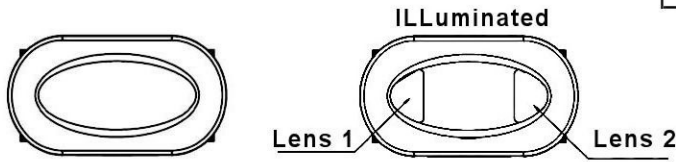


THIS INFORMATION IS CONFIDENTIAL AND PROPRIETARY TO CW INDUSTRIES INCORPORATED AND ITS AFFILIATES. IT MAY NOT BE DISCLOSED TO ANYONE, OTHER THAN CW INDUSTRIES PERSONNEL, WITHOUT WRITTEN AUTHORIZATION FROM CW INDUSTRIES INCORPORATED, SOUTHAMPTON, PENNSYLVANIA USA.

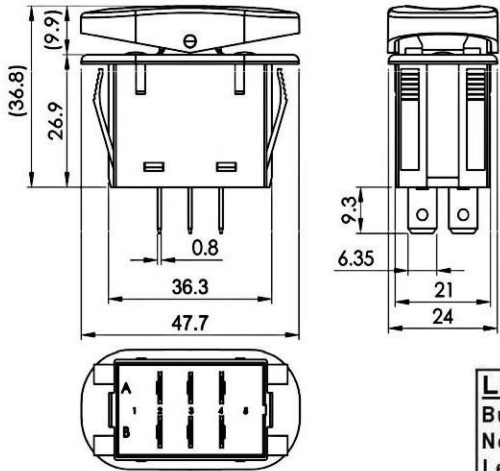
Rating	20A 125VAC, 10A 250VAC 3/4HP 125-250 VAC 21A 14VDC
Contact Resistance	50m ohm Max.
Insulation Resistance	DC 500V 100M ohm Min.
Dielectric Strength	AC 1500V 1 minute
Operation Temperature	-20°C ~ +85°C

Cut - Out		
X 		
	X	Y
0.75~1.25	36.6 +0.1 -0	
1.25~2.0	36.8 +0.1 -0	21.2+0.1
2.0~3.0	37.0 +0.1 -0	



Features:

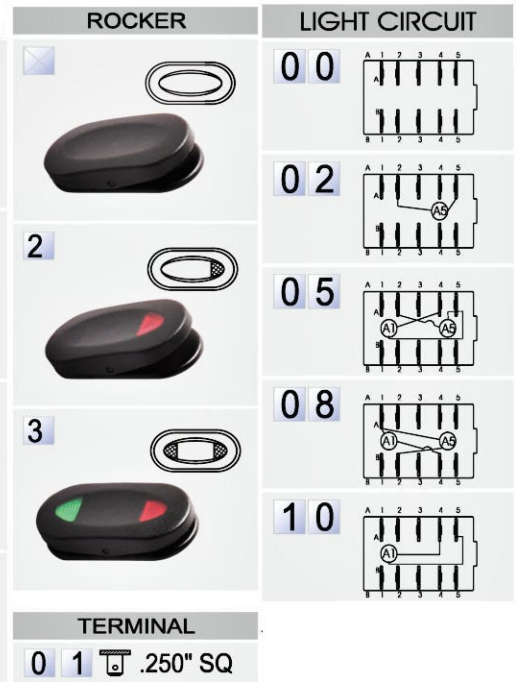
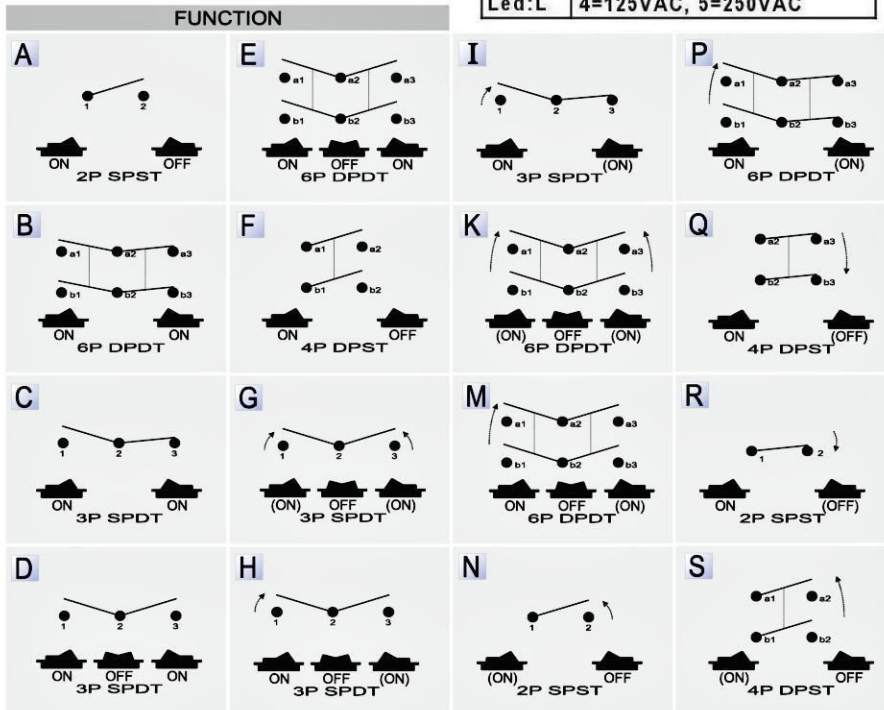
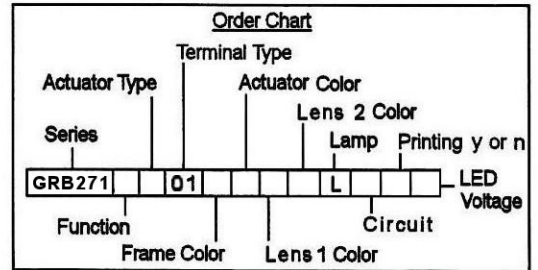
- Frame: Black, Nylon (UL flame: 94V-2).
- Actuator: Black, Nylon #66 + 30% GF.
- ILLuminated Actuators: Molded in PC, Ref. Lens color list.
- Terminals: Silver plated brass.
- Waterproof and DustProof to IP66.



Actuator/Lens Color List

- A= Amber G= Green
- B= Black R= Red
- U= Blue W= White

Lamp	Voltage
Bulb: B	1=12VDC, 2=24VDC
Neon: N	1=125VAC, 2=250VAC
Led: L	1=12VDC, 2=24VDC, 3=Reg.
Led: L	4=125VAC, 5=250VAC



CW INDUSTRIES
Southampton, Pa. 18966
Tel 215.355.7080/www.cwind.com

Date Drawn: DW 5/03/21

Rev. 0

Unit: mm

Checked By:

Title: **ROCKER SWITCH**

CW P/N: **GRB271 SERIES**