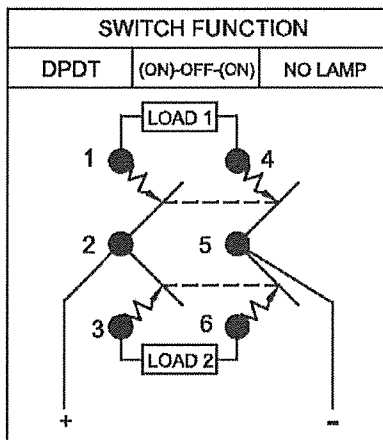


THIS INFORMATION IS CONFIDENTIAL AND PROPRIETARY TO CW INDUSTRIES INCORPORATED AND ITS AFFILIATES. IT MAY NOT BE DISCLOSED TO ANYONE, OTHER THAN CW INDUSTRIES PERSONNEL, WITHOUT WRITTEN AUTHORIZATION FROM CW INDUSTRIES INCORPORATED, SOUTHAMPTON, PENNSYLVANIA USA.

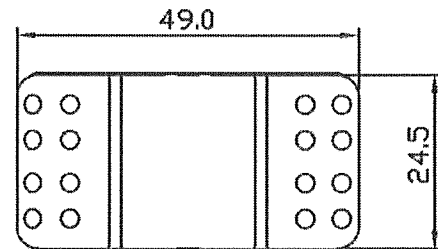


Rating:  
16(8) 125/250VAC  
25A 12 V DC

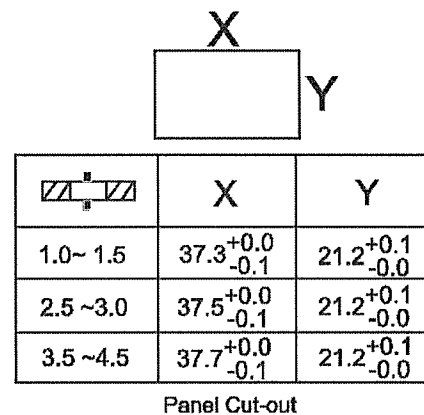
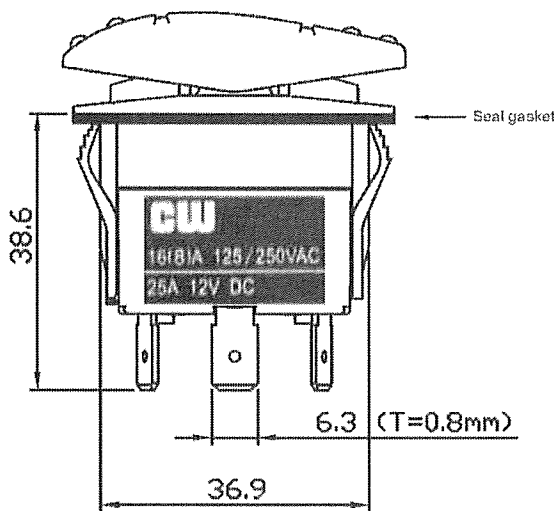
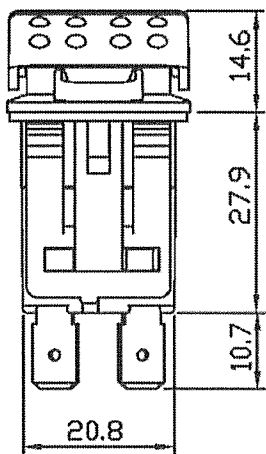
Dielectric withstand voltage: 1500VAC for 1 Minute  
Insulation resistance: DC 500V 100M Ω (min)  
Contact resistance: 20mΩ Initial (Max)  
IP Rating: IP67  
Actuator color: Black  
Base Color: Gray

Function: (ON) - OFF - (ON)  
POS 1 POS 2 POS 3

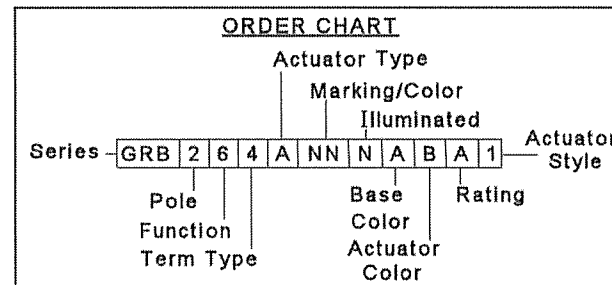
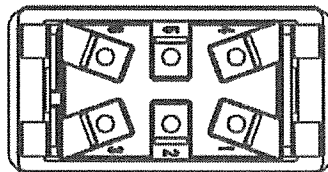
( ) = Momentary



POS 1 POS 2 POS 3



Tolerances unless otherwise specified: ± .012 / 0.3 (mm)



X5-264ANN-NABA-1NNW

**CW INDUSTRIES**  
Southampton, Pa. 18966  
Tel 215.355.7080/www.cwind.com

Date Drawn: 5/10/19

Rev. 0

Unit: mm

Checked By: *G. GULD*

Title:

**ROCKER SWITCH**

CW P/N:

**GRB264ANNNABA1**