
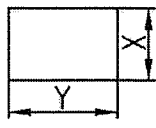
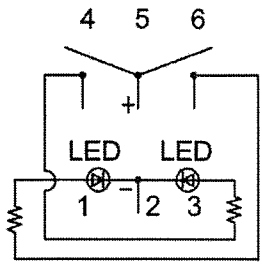
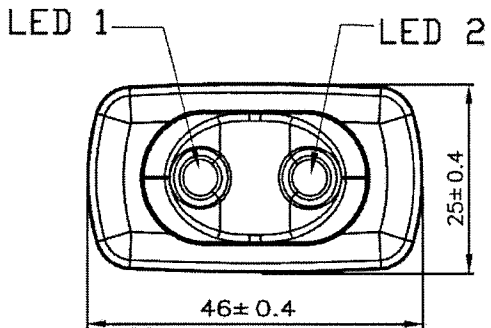


THIS INFORMATION IS CONFIDENTIAL AND PROPRIETARY TO CW INDUSTRIES INCORPORATED AND ITS AFFILIATES. IT MAY NOT BE DISCLOSED TO ANYONE, OTHER THAN CW INDUSTRIES PERSONNEL, WITHOUT WRITTEN AUTHORIZATION FROM CW INDUSTRIES INCORPORATED, SOUTHAMPTON, PENNSYLVANIA USA.

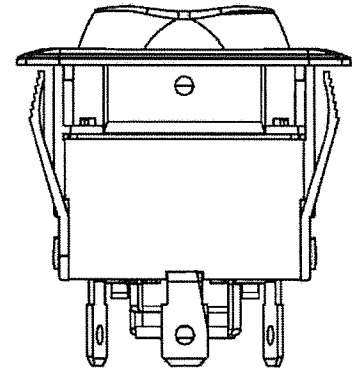
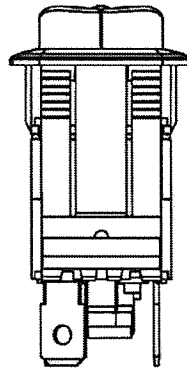
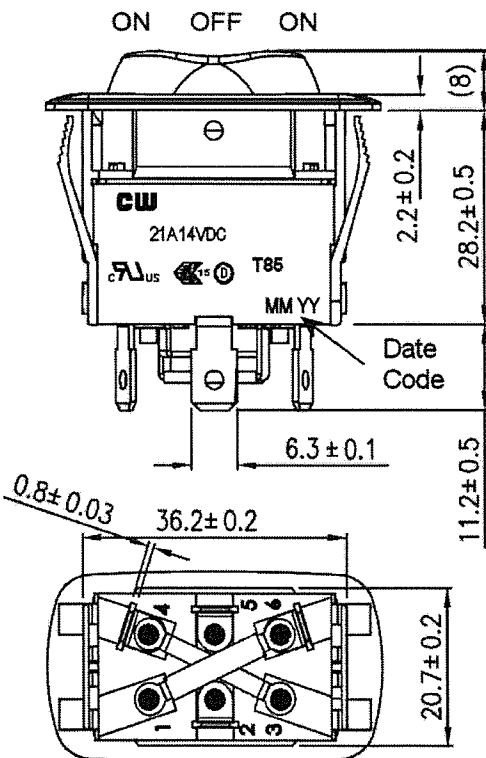
Rating	21A 14VDC	T85 	Mounting Hole 	Circuit Diagram 												
Contact Resistance	50m ohm Max.															
Insulation Resistance	DC 500V 100M ohm Min.		<table border="1"> <tr> <th>Thickness</th> <th>X</th> <th>Y</th> </tr> <tr> <td>0.75~1.25</td> <td>21.2+0.1</td> <td>36.6+0.1</td> </tr> <tr> <td>1.25~2</td> <td>21.2+0.1</td> <td>36.8+0.1</td> </tr> <tr> <td>2~3</td> <td>21.2+0.1</td> <td>37.0+0.1</td> </tr> </table>	Thickness	X	Y	0.75~1.25	21.2+0.1	36.6+0.1	1.25~2	21.2+0.1	36.8+0.1	2~3	21.2+0.1	37.0+0.1	
Thickness	X	Y														
0.75~1.25	21.2+0.1	36.6+0.1														
1.25~2	21.2+0.1	36.8+0.1														
2~3	21.2+0.1	37.0+0.1														
Dielectric Strength	AC 1500V 1 minute															
Operation Temperature	-20°C~85°C															
Switch Function	4P SPDT ON-OFF-ON Lamp Dependent															
Lamp Type	LED 12VDC 14V w/resistor															

Material:

- Frame: Nylon # 66, Black
- Actuator: Nylon 6/6, Black
- LED #1: Green
- LED #2: Red
- Printing: None



Tolerances +/- 0.3 Unless Otherwise Specified.



Order Chart									
Series	Actuator Type		Frame Color		Lamp Dependent			LED Voltage	
GRB263	D	2	B	B	G	R	2	D	1
Function			Actuator Color		LED 1		2 Pcs. LED		

R13-263D2-01-BBGR-182600-1

4 Updated ratings. 1/12/18.

CW INDUSTRIES
 Southampton, Pa. 18966
 Tel 215.355.7080/www.cwind.com

Date Drawn: 5/18/10

Rev. 4

Unit: mm

Checked By: *G. GULD*

Title: **ROCKER SWITCH**

CW P/N: **GRB263D2BBGR2D1**