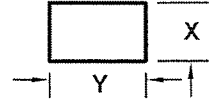
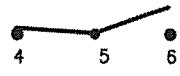


THIS INFORMATION IS CONFIDENTIAL AND PROPRIETARY TO CW INDUSTRIES INCORPORATED AND ITS AFFILIATES. IT MAY NOT BE DISCLOSED TO ANYONE, OTHER THAN CW INDUSTRIES PERSONNEL, WITHOUT WRITTEN AUTHORIZATION FROM CW INDUSTRIES INCORPORATED, SOUTHAMPTON, PENNSYLVANIA USA.

Rating	16(4)A 125/250VAC 20A 125VAC 21A 14VDC / 10A 28VDC		T85 UL US CSA	<div style="text-align: center;"> Mounting Hole  <table border="1" style="margin-left: auto; margin-right: auto;"> <thead> <tr> <th>Thickness</th> <th>X</th> <th>Y</th> </tr> </thead> <tbody> <tr> <td>0.75 - 1.25</td> <td>21.2 + 0.1</td> <td>36.6 + 0.1</td> </tr> <tr> <td>1.25 - 2.00</td> <td>21.2 + 0.1</td> <td>36.8 + 0.1</td> </tr> <tr> <td>2.00 - 3.00</td> <td>21.2 + 0.1</td> <td>37.0 + 0.1</td> </tr> </tbody> </table> </div>	Thickness	X	Y	0.75 - 1.25	21.2 + 0.1	36.6 + 0.1	1.25 - 2.00	21.2 + 0.1	36.8 + 0.1	2.00 - 3.00	21.2 + 0.1	37.0 + 0.1	<div style="text-align: center;"> Circuit Diagram  </div>
	Thickness	X			Y												
0.75 - 1.25	21.2 + 0.1	36.6 + 0.1															
1.25 - 2.00	21.2 + 0.1	36.8 + 0.1															
2.00 - 3.00	21.2 + 0.1	37.0 + 0.1															
Contact Resistance	50m ohm max.																
Insulation Resistance	DC 500V 100M ohm min.																
Dielectric Strength	AC 1500V 1 minute																
Operating Temperature	-20°C ~ 85°C																
Function	3P SPDT ON - ON																

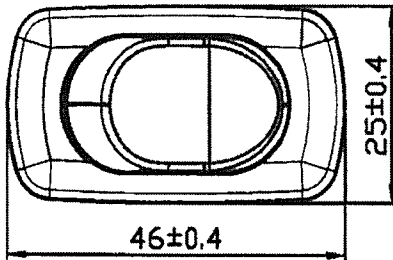
MATERIAL:

FRAME: Black, Nylon #66

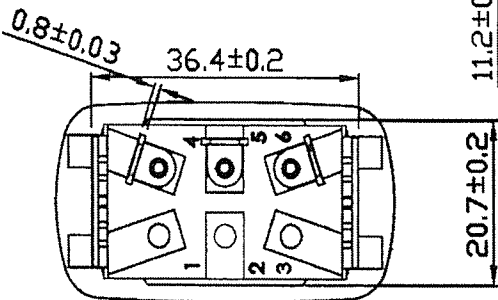
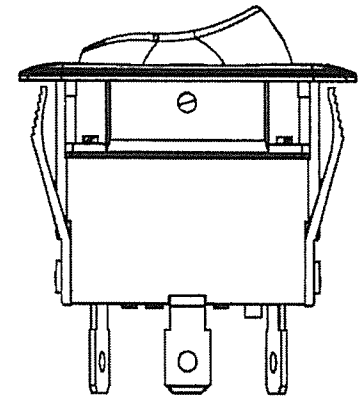
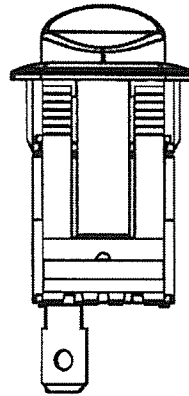
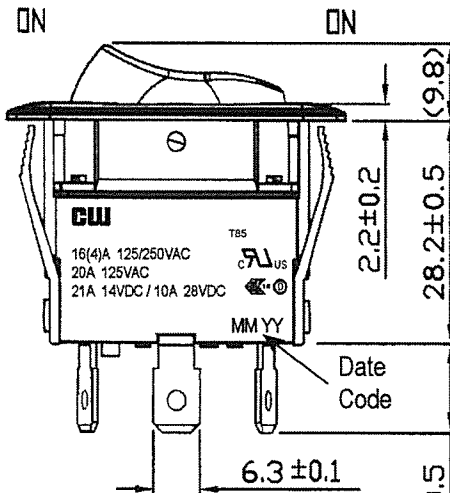
ACTUATOR: Black, Nylon #66

Printed: None

Water proof and dust proof to fit IP-56.



Tolerances +/- 0.3 Unless Otherwise Specified.



Order Chart									
Actuator Style									
LED None									
Printing None									
Lamp None									
Series	Function	Terminal Style							
GRB263	C	0 01	N	N	N				

R13-263C0-01-BB-15NN00

3 Updated ratings. 2/14/18.

CW INDUSTRIES
Southampton, Pa. 18966
Tel 215.355.7080/www.cwind.com

Date Drawn: 1/31/11

Rev. 3

Unit: mm

Checked By: *G. GULD*

Title:
ROCKER SWITCH

CW P/N:
GRB263C001NNN