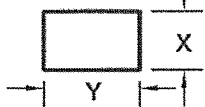
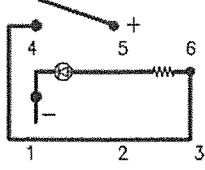
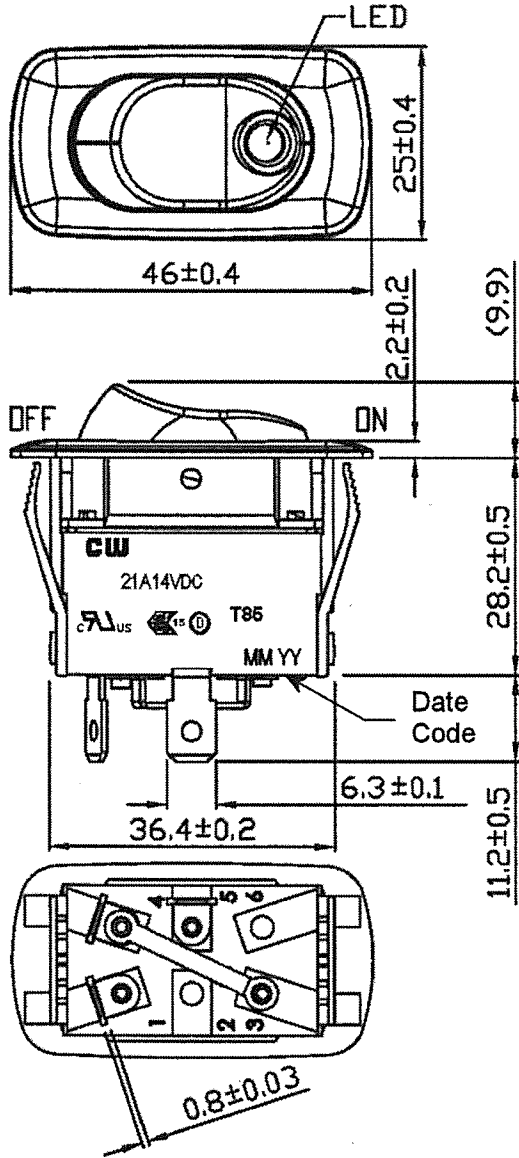


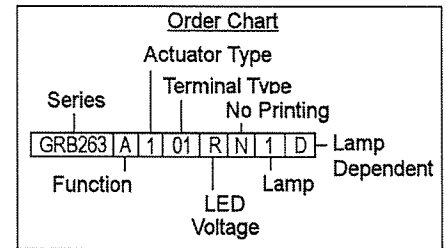
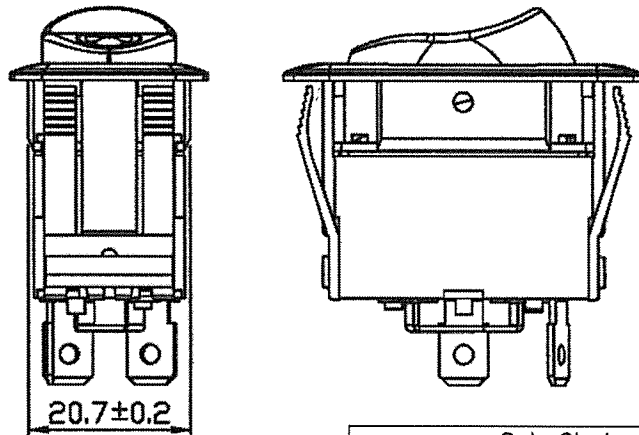
THIS INFORMATION IS CONFIDENTIAL AND PROPRIETARY TO CW INDUSTRIES INCORPORATED AND ITS AFFILIATES. IT MAY NOT BE DISCLOSED TO ANYONE, OTHER THAN CW INDUSTRIES PERSONNEL, WITHOUT WRITTEN AUTHORIZATION FROM CW INDUSTRIES INCORPORATED, SOUTHAMPTON, PENNSYLVANIA USA.

Rating	21A 14VDC		T85 UL US 15 0		Mounting Hole 	Circuit Diagram 												
Contact Resistance	50m ohm max.				<table border="1"> <thead> <tr> <th>Thickness</th> <th>X</th> <th>Y</th> </tr> </thead> <tbody> <tr> <td>0.75 - 1.25</td> <td>21.2 + 0.1</td> <td>36.6 + 0.1</td> </tr> <tr> <td>1.25 - 2.00</td> <td>21.2 + 0.1</td> <td>36.8 + 0.1</td> </tr> <tr> <td>2.00 - 3.00</td> <td>21.2 + 0.1</td> <td>37.0 + 0.1</td> </tr> </tbody> </table>	Thickness	X	Y	0.75 - 1.25	21.2 + 0.1	36.6 + 0.1	1.25 - 2.00	21.2 + 0.1	36.8 + 0.1	2.00 - 3.00	21.2 + 0.1	37.0 + 0.1	<p>SPST ON - OFF (LED)</p>
Thickness	X	Y																
0.75 - 1.25	21.2 + 0.1	36.6 + 0.1																
1.25 - 2.00	21.2 + 0.1	36.8 + 0.1																
2.00 - 3.00	21.2 + 0.1	37.0 + 0.1																
Insulation Resistance	DC 500V 100M ohm min.																	
Dielectric Strength	AC 1500V 1 minute																	
Operating Temperature	-20° C ~ 85° C																	
Function	SPST ON - OFF LED Dependent																	
Lamp Type	LED 12VDC / 14V Red w / resistor																	



MATERIAL:

Frame: Black, Nylon # 66
 Actuator: Black, Nylon # 66
 LED: Red
 Printed: None



Tolerances +/- 0.3 Unless Otherwise Specified.

R13-263A1-01-BBNR-181500-1

3 Updated ratings. 2/13/18.

CW INDUSTRIES
 Southampton, Pa. 18966
 Tel 215.355.7080/www.cwind.com

Date Drawn: 1/31/11

Rev. 3

Unit: mm

Checked By: *G. GULD*

Title:
ROCKER SWITCH

CW P/N:

GRB263A101RN1D