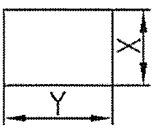
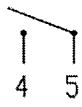
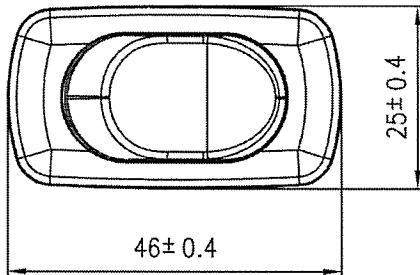
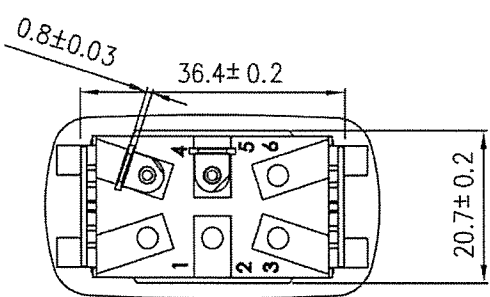
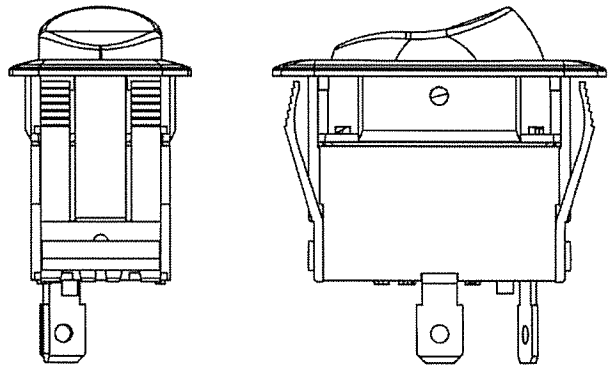
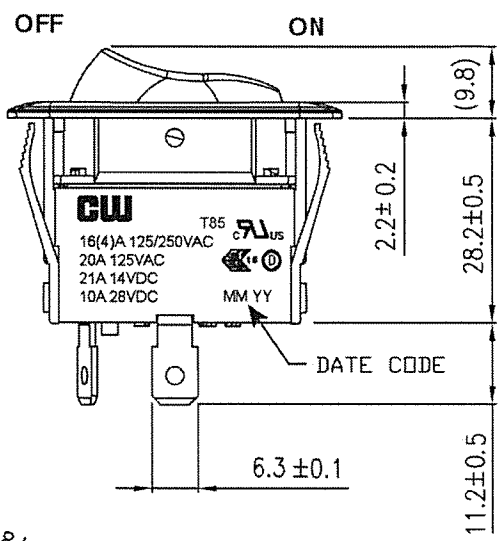


THIS INFORMATION IS CONFIDENTIAL AND PROPRIETARY TO CW INDUSTRIES INCORPORATED AND ITS AFFILIATES. IT MAY NOT BE DISCLOSED TO ANYONE, OTHER THAN CW INDUSTRIES PERSONNEL, WITHOUT WRITTEN AUTHORIZATION FROM CW INDUSTRIES INCORPORATED, SOUTHAMPTON, PENNSYLVANIA USA.

Rating	16(4)A 125/250VAC 20A 125VAC 21A 14VDC / 10A 28VDC	T85 cRU _{US} ④	Mounting Hole	Circuit Diagram												
Contact Resistance	50m ohm Max.															
Insulation Resistance	DC 500V 100M ohm Min.															
Dielectric Strength	AC 1500V 1 minute															
Switch Function	2P SPST ON-OFF															
Operation Temperature	-20°C~85°C		<table border="1"> <tr> <th>Thickness</th> <th>X</th> <th>Y</th> </tr> <tr> <td>0.75~1.25</td> <td>21.2+0.1</td> <td>36.6+0.1</td> </tr> <tr> <td>1.25~2</td> <td>21.2+0.1</td> <td>36.8+0.1</td> </tr> <tr> <td>2~3</td> <td>21.2+0.1</td> <td>37.0+0.1</td> </tr> </table>	Thickness	X	Y	0.75~1.25	21.2+0.1	36.6+0.1	1.25~2	21.2+0.1	36.8+0.1	2~3	21.2+0.1	37.0+0.1	
Thickness	X	Y														
0.75~1.25	21.2+0.1	36.6+0.1														
1.25~2	21.2+0.1	36.8+0.1														
2~3	21.2+0.1	37.0+0.1														



Material:
 Frame: Black, Nylon#66
 Actuator: Black, Nylon#66
 Printed: None
 Water proof and dust proof to fit IP-56



Order Chart						
Series		Actuator Type		Actuator Color		
GRB263		A 0		B B N N		
Function		Frame Color		No Lamp		
				No Printing		

Tolerances +/- 0.3 Unless Otherwise Specified.

R13-263A0-01-BB-15NN00

2 Updated ratings. 2/12/18

CW INDUSTRIES
 Southampton, Pa. 18966
 Tel 215.355.7080/www.cwind.com

Date Drawn: 1/15/10

Rev. 2

Unit: mm

Checked By: *G. GULD*

Title: **ROCKER SWITCH**

CW P/N: **GRB263A0BBNN**