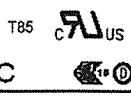
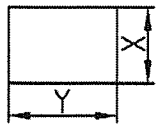
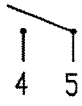
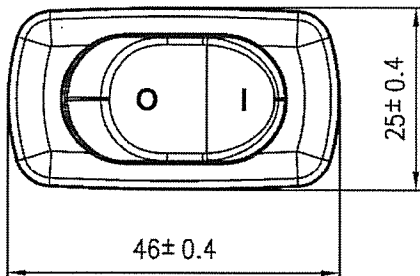


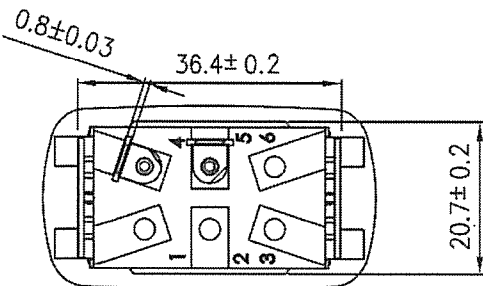
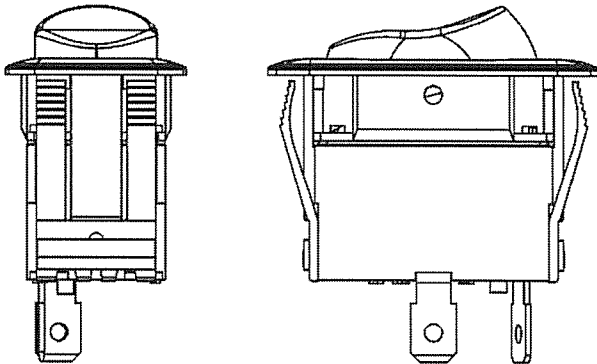
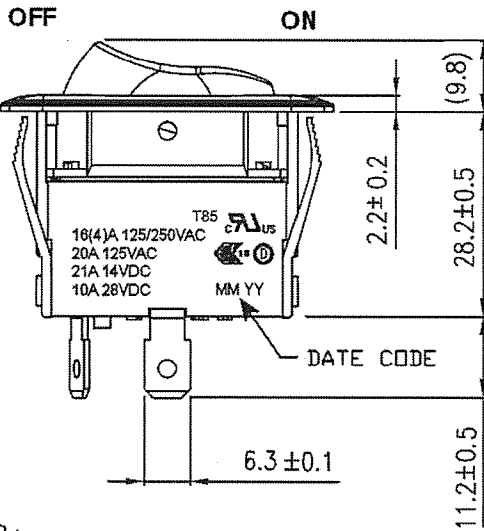
THIS INFORMATION IS CONFIDENTIAL AND PROPRIETARY TO CW INDUSTRIES INCORPORATED AND ITS AFFILIATES. IT MAY NOT BE DISCLOSED TO ANYONE, OTHER THAN CW INDUSTRIES PERSONNEL, WITHOUT WRITTEN AUTHORIZATION FROM CW INDUSTRIES INCORPORATED, SOUTHAMPTON, PENNSYLVANIA USA.

<b>Rating</b>	16(4)A 125/250VAC 20A 125VAC 21A 14VDC / 10A 28VDC		<b>Mounting Hole</b>	<b>Circuit Diagram</b>												
																
<b>Contact Resistance</b>	50m ohm Max.															
<b>Insulation Resistance</b>	DC 500V 100M ohm Min.															
<b>Dielectric Strength</b>	AC 1500V 1 minute															
<b>Switch Function</b>	2P SPST ON-OFF															
<b>Operation Temperature</b>	-20°C~85°C															
		<table border="1"> <tr> <th>Thickness</th> <th>X</th> <th>Y</th> </tr> <tr> <td>0.75~1.25</td> <td>21.2+0.1</td> <td>36.6+0.1</td> </tr> <tr> <td>1.25~2</td> <td>21.2+0.1</td> <td>36.8+0.1</td> </tr> <tr> <td>2~3</td> <td>21.2+0.1</td> <td>37.0+0.1</td> </tr> </table>	Thickness	X	Y	0.75~1.25	21.2+0.1	36.6+0.1	1.25~2	21.2+0.1	36.8+0.1	2~3	21.2+0.1	37.0+0.1		
Thickness	X	Y														
0.75~1.25	21.2+0.1	36.6+0.1														
1.25~2	21.2+0.1	36.8+0.1														
2~3	21.2+0.1	37.0+0.1														



**MATERIAL:**

- Frame: Black, Nylon #66
- Actuator: Black, Nylon #66
- Printing: White, Hot Stamping
- Water proof and dust proof to fit IP-56



ORDER CHART									
Series		Terminal Style		Frame Color		Actuator Color		Printing	
GRB263	A 0	01	B	B	N	N	73		
Function		Actuator Type		No Lamp		No Lens			

Tolerances +/- 0.3 Unless Otherwise Specified.

R13-263A0-01-BBNN

1 Redrawn. Removed Logo. DW 3/09/23.

**CW INDUSTRIES**  
Southampton, Pa. 18966  
Tel 215.355.7080/www.cwind.com

Date Drawn: DW 5/21/21

Rev. 1

Unit: mm

Checked By: *G. GULD*

Title: **ROCKER SWITCH**

CW P/N: **GRB263A001BBNN73**