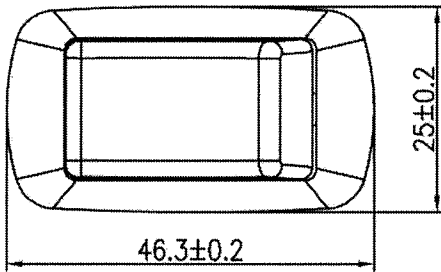


THIS INFORMATION IS CONFIDENTIAL AND PROPRIETARY TO CW INDUSTRIES INCORPORATED AND ITS AFFILIATES. IT MAY NOT BE DISCLOSED TO ANYONE, OTHER THAN CW INDUSTRIES PERSONNEL, WITHOUT WRITTEN AUTHORIZATION FROM CW INDUSTRIES INCORPORATED, SOUTHAMPTON, PENNSYLVANIA USA.

Rating	16(4)A 125/250Vac	Mounting Hole		Circuit Diagram
	20A 125Vac			
Contact Resistance	50m ohm Max.			
Insulation Resistance	DC 500V 100M ohm Min.			
Dielectric Strength	AC 1500V 1 minute	Thickness(mm)	X(mm)	Y(mm)
Operation Temperature	-20°~+85°	0.75~1.25	21.2±0.1	36.6 ^{+0.2}
Switch Function	2P SPST (ON)-OFF	1.25~2.0		36.8 ^{+0.2}
		2.0~3.0		37.0 ^{+0.2}

() = Momentary Function



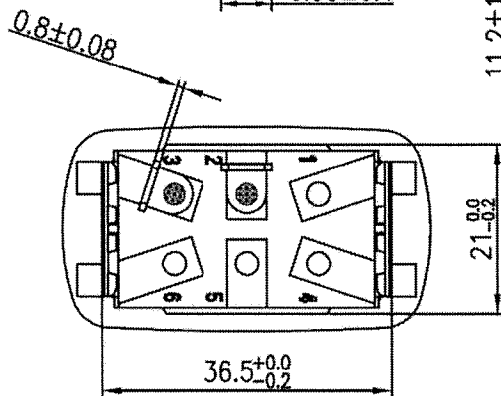
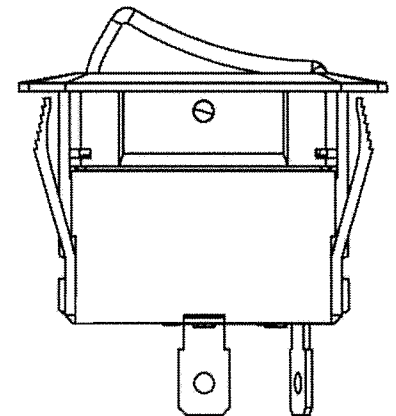
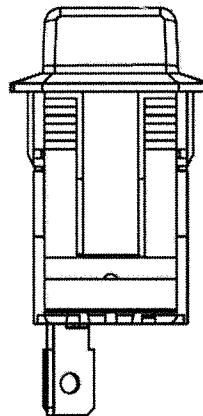
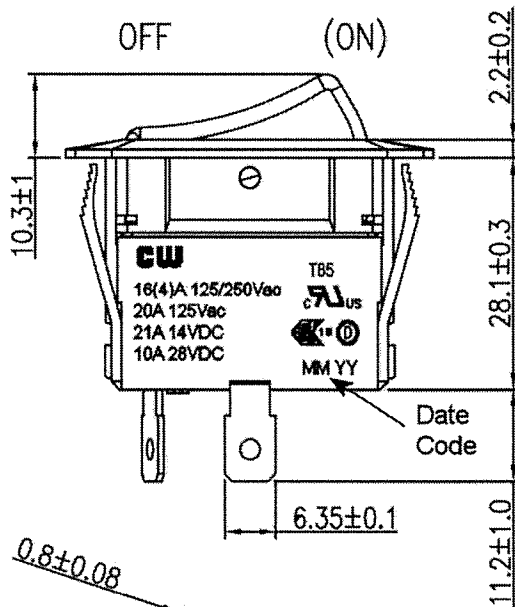
* MATERIAL:

Frame: Nylon#66, Black

Actuator: Nylon#66 with 33%GF, Black

Printed: None

Water proof and dust proof to fit IP-56



Order Chart							
Actuator Type		Terminal Type		No Bulb			
Series	Function	Frame Color	Actuator Color	No Marking			
GRB260	N	6	01	B	B	N	N

2 Updated ratings. 2/07/18.
 1 20A 125VAC 10A 250VAC was 20A 125VAC 10A 25VAC IN RATING. 1/24/11.

R13-260N6-01-BB

CW INDUSTRIES
 Southampton, Pa. 18966
 Tel 215.355.7080/www.cwind.com

Date Drawn: 1/24/11

Rev.

Unit: mm

Checked By: *G. GOLD*

Title:

ROCKER SWITCH

CW P/N:

GRB260N601BBNN