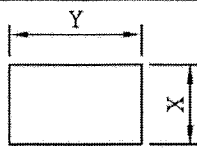

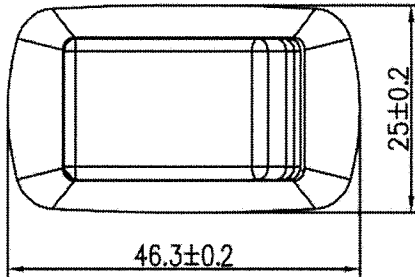


THIS INFORMATION IS CONFIDENTIAL AND PROPRIETARY TO CW INDUSTRIES INCORPORATED AND ITS AFFILIATES. IT MAY NOT BE DISCLOSED TO ANYONE, OTHER THAN CW INDUSTRIES PERSONNEL, WITHOUT WRITTEN AUTHORIZATION FROM CW INDUSTRIES INCORPORATED, SOUTHAMPTON, PENNSYLVANIA USA.

Rating	16(4)A 125/250Vac 20A 125Vac 21A 14VDC / 10A 28VDC	T85 cRU <sub>US</sub>		Mounting Hole 	Circuit Diagram 
	Contact Resistance	50m ohm Max.	Thickness(mm)		
Insulation Resistance	DC 500V 100M ohm Min.	0.75~1.25	21.2+0.1	36.6 <sup>+0.2</sup>	
Dielectric Strength	AC 1500V 1 minute	1.25~2.0		36.8 <sup>+0.2</sup>	
Operation Temperature	-20°~85°	2.0~3.0		37.0 <sup>+0.2</sup>	
Switch Function	2P SPST (ON)-OFF				

( ) = Momentary Function

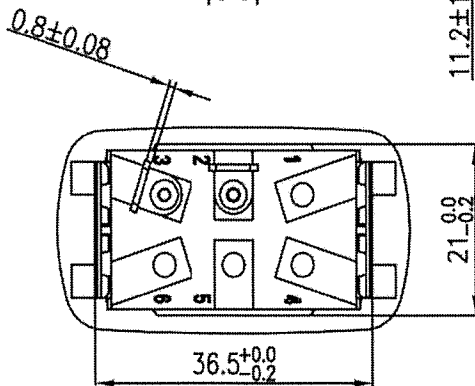
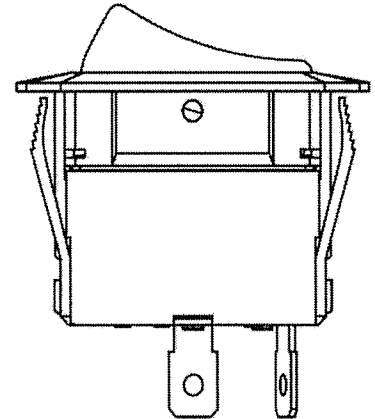
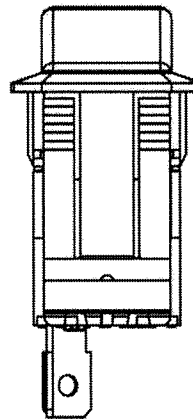
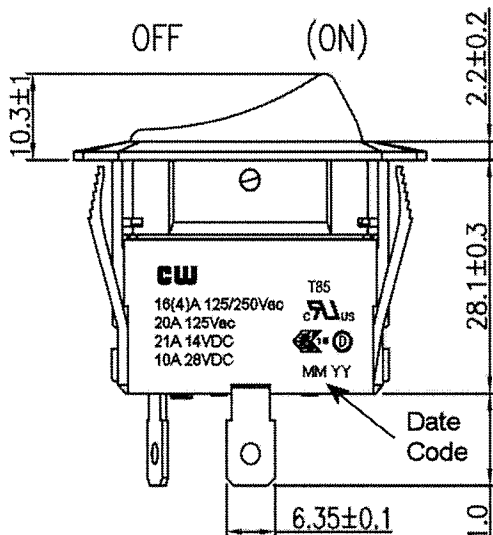


MATERIAL:

Frame: Nylon 66, Black

Actuator: Nylon 66 with 33%GF, Black

Water proof and dust proof to fit IP-56



Order Chart						
Actuator Type		Terminal Type			No Bulb	
Series						
GRB260	N	1	01	B	B	N N
Function		Frame Color				No Marking Actuator Color

2 Updated ratings. 2/07/18.  
1 20A 125VAC 10A 250VAC was 20A 125VAC 10A 25VAC IN RATING. 1/24/11.

R13-260N1-01-BB

**CW INDUSTRIES**  
Southampton, Pa. 18966  
Tel 215.355.7080/www.cwind.com

Date Drawn: 1/24/11

Rev.

Unit: mm

Checked By: *G. GULD*

Title: **ROCKER SWITCH**

CW P/N: **GRB260N101BBNN**