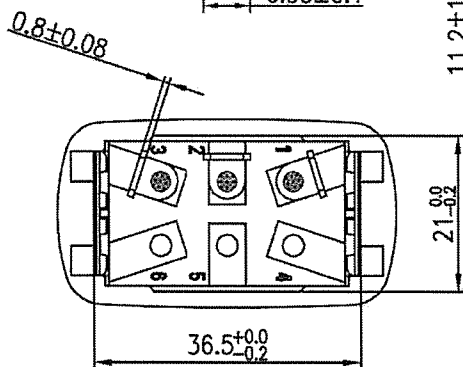
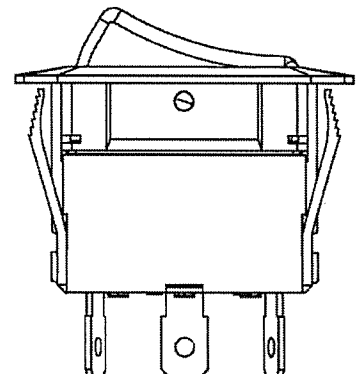
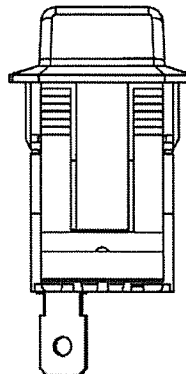
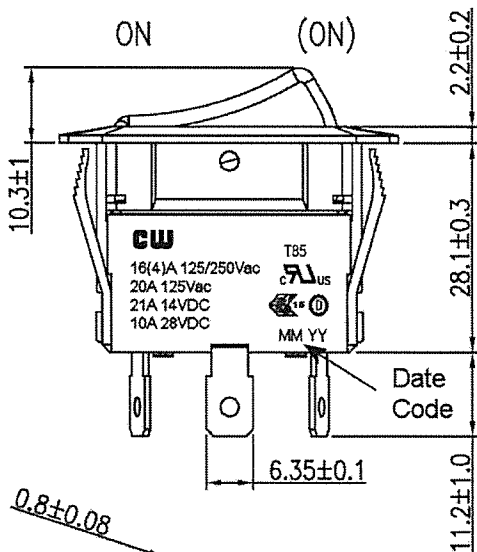
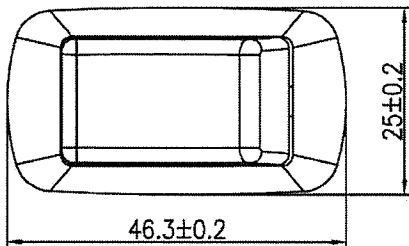


THIS INFORMATION IS CONFIDENTIAL AND PROPRIETARY TO CW INDUSTRIES INCORPORATED AND ITS AFFILIATES. IT MAY NOT BE DISCLOSED TO ANYONE, OTHER THAN CW INDUSTRIES PERSONNEL, WITHOUT WRITTEN AUTHORIZATION FROM CW INDUSTRIES INCORPORATED, SOUTHAMPTON, PENNSYLVANIA USA.

Rating	16(4)A 125/250Vac 20A 125Vac 21A 14VDC / 10A 28VDC	T85 cULus	Mounting Hole			Circuit Diagram
Contact Resistance	50m ohm Max.					
Insulation Resistance	DC 500V 100M ohm Min.					
Dielectric Strength	AC 1500V 1 minute					
Operation Temperature	-20°~+85°					
Switch Function	3P SPDT ON-(ON)	Thickness(mm)	X(mm)	Y(mm)		
		0.75~1.25		36.6 ^{+0.2} ₋₀		
		1.25~2.0		36.8 ^{+0.2} ₋₀		
		2.0~3.0		37.0 ^{+0.2} ₋₀		

() = Momentary Function

MATERIAL:
 Frame: Nylon 66, Black
 Actuator: Nylon 66 with 33%GF, Black
 Printed: None
 Water proof and dust proof to fit IP-56



Order Chart									
Series		Actuator Type		Terminal Type		No Bulb		No Marking	
GRB260	I	6	01	B	B	N	N		
Function		Frame Color		Actuator Color					

R13-260I6-01-BB

2 Updated ratings. 2/07/18.
 1 20A 125VAC 10A 250VAC was 20A 125VAC 10A 25VAC IN RATING. 1/24/11.

CW INDUSTRIES
 Southampton, Pa. 18966
 Tel 215.355.7080/www.cwind.com

Date Drawn: 1/24/11

Rev. 2

Unit: mm

Checked By: *G. GULD*

Title: **ROCKER SWITCH**

CW P/N: **GRB260I601BBNN**