
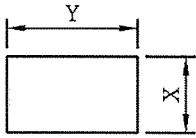
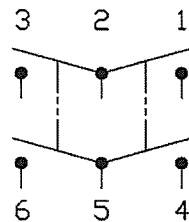


THIS INFORMATION IS CONFIDENTIAL AND PROPRIETARY TO CW INDUSTRIES INCORPORATED AND ITS AFFILIATES. IT MAY NOT BE DISCLOSED TO ANYONE, OTHER THAN CW INDUSTRIES PERSONNEL, WITHOUT WRITTEN AUTHORIZATION FROM CW INDUSTRIES INCORPORATED, SOUTHAMPTON, PENNSYLVANIA USA.

<b>Rating</b>	16(4)A 125/250Vac 20A 125Vac 21A 14VDC / 10A 28VDC		<b>Mounting Hole</b>			<b>Circuit Diagram</b>
						
<b>Contact Resistance</b>	50m ohm Max.		Thickness(mm)	X(mm)	Y(mm)	
<b>Insulation Resistance</b>	DC 500V 100M ohm Min.		0.75~1.25	21.2±0.1	36.6 <sup>+0.2</sup>	
<b>Dielectric Strength</b>	AC 1500V 1 minute		1.25~2.0		36.8 <sup>+0.2</sup>	
<b>Operation Temperature</b>	-20°~+85°		2.0~3.0		37.0 <sup>+0.2</sup>	
<b>Switch Function</b>	6P DPDT ON-OFF-ON					

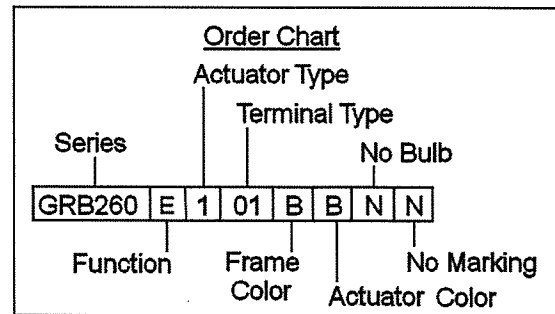
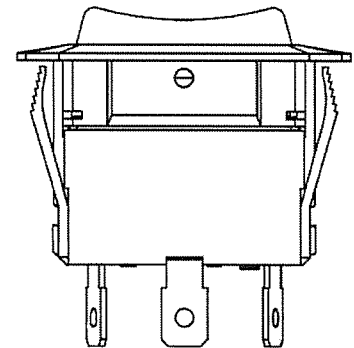
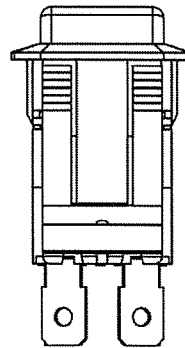
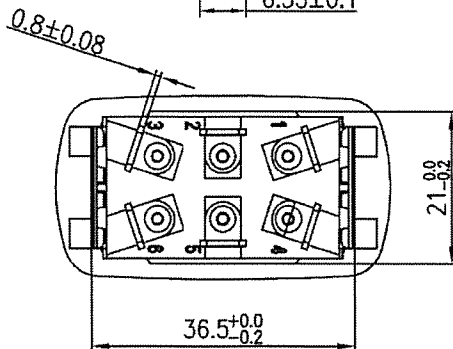
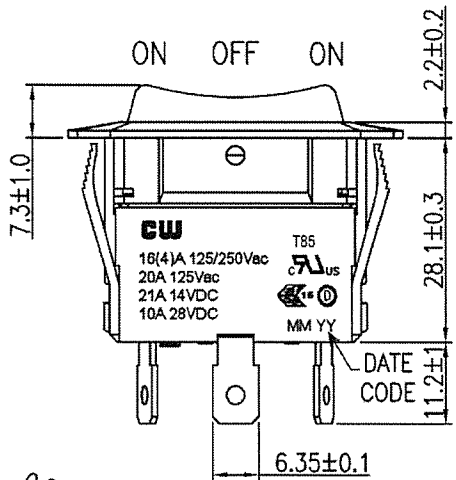
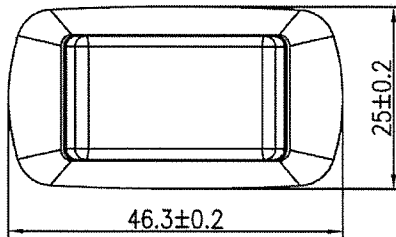
**MATERIAL:**

Frame: Nylon#66, Black

Actuator: Nylon#66 with 33%GF, Black

Printed: None

Water proof and dust proof to fit IP-56



R13-260E1-01-BB

2 Updated ratings. 2/05/18

1 20A 125VAC 10A 250VAC was 20A 125VAC 10A 25VAC IN RATING. 1/24/11.

**CW INDUSTRIES**  
Southampton, Pa. 18966  
Tel 215.355.7080/www.cwind.com

Date Drawn: 1/24/11

Rev. 2

Unit: mm

Checked By: *G. GULD*

Title: **ROCKER SWITCH**

CW P/N: **GRB260E101BBNN**