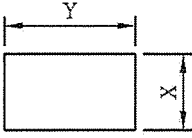
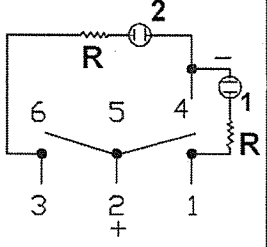
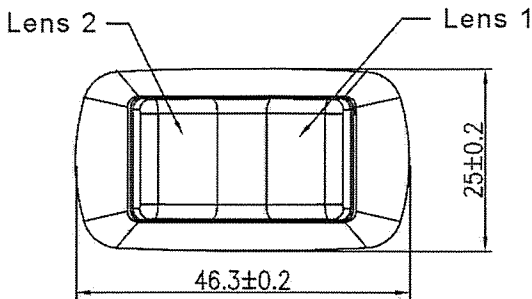


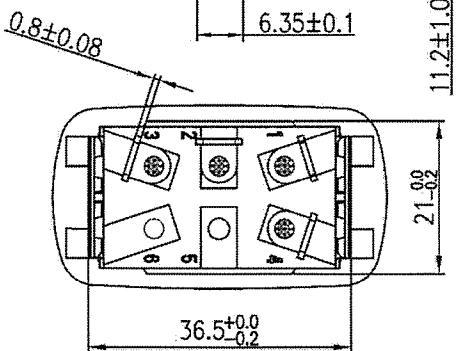
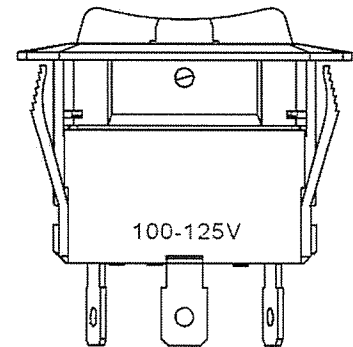
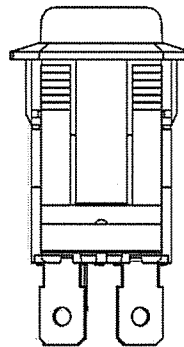
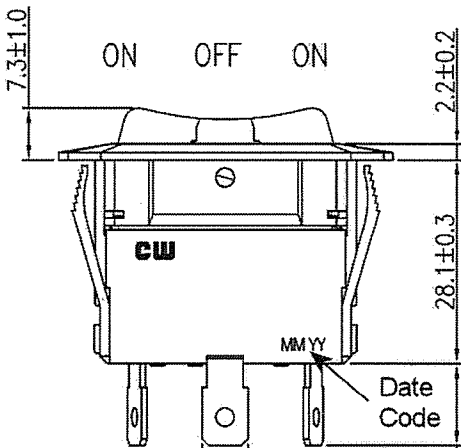
THIS INFORMATION IS CONFIDENTIAL AND PROPRIETARY TO CW INDUSTRIES INCORPORATED AND ITS AFFILIATES. IT MAY NOT BE DISCLOSED TO ANYONE, OTHER THAN CW INDUSTRIES PERSONNEL, WITHOUT WRITTEN AUTHORIZATION FROM CW INDUSTRIES INCORPORATED, SOUTHAMPTON, PENNSYLVANIA USA.

Rating	16(4)A 125VAC 20A 125VAC	Mounting Hole		Circuit Diagram
Contact Resistance	50m ohm Max.			
Insulation Resistance	DC 500V 100M ohm Min.	Thickness(mm)	X(mm)	
Dielectric Strength	AC 1500V 1 minute	0.75~1.25	36.6 ^{+0.2}	
Operation Temperature	-20°~85°	1.25~2.0	21.2 ^{+0.1}	
Switch Function	4P SPDT ON-OFF-ON Lamp Dependent	2.0~3.0	37.0 ^{+0.2}	
Lamp Type	Neon 125VAC w/resistor			



MATERIAL:

- Frame: Nylon 66, Black
- Actuator: Nylon 66 with 33%GF, Black
- Lens 1: Red
- Lens 2: Blue
- Water proof and dust proof to IP-56



Order Chart										
Series	Actuator Type	Terminal Type	Lens 1 Color		Lens 2 Color		Voltage	Lamp Type	Light Circuit	
GRB260	D	5	01	B	B	R	U	N	1	4
Function	Actuator Color	Frame Color								

CW INDUSTRIES
Southampton, Pa. 18966
Tel 215.355.7080/www.cwind.com

Date Drawn: DW 1/21/21

Rev. 0

Unit: mm

Checked By: 

Title:
ROCKER SWITCH

CW P/N:
GRB260D501BBRUN14