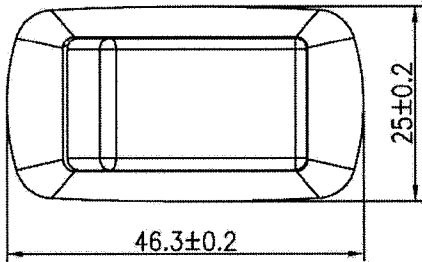
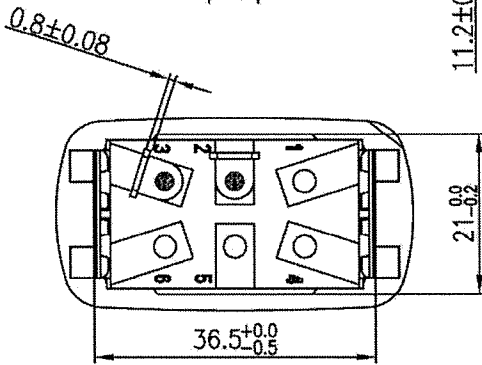
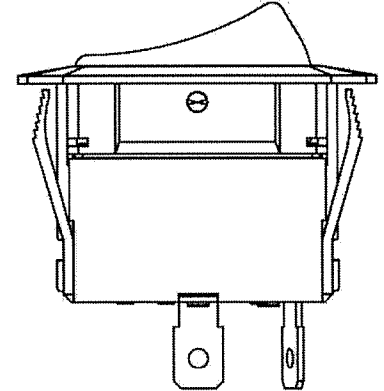
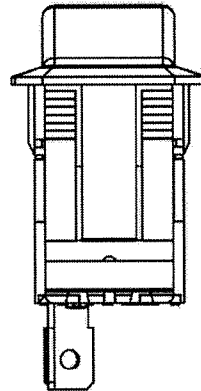
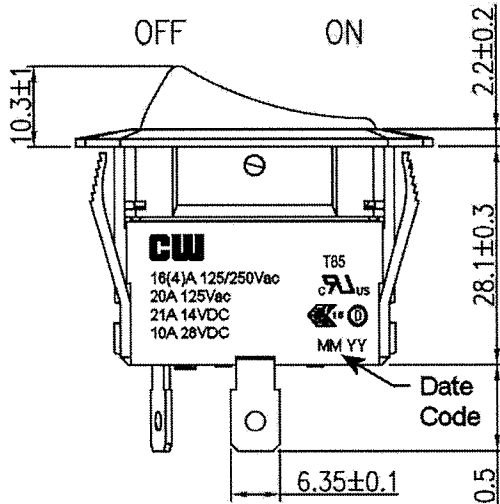


THIS INFORMATION IS CONFIDENTIAL AND PROPRIETARY TO CW INDUSTRIES INCORPORATED AND ITS AFFILIATES. IT MAY NOT BE DISCLOSED TO ANYONE, OTHER THAN CW INDUSTRIES PERSONNEL, WITHOUT WRITTEN AUTHORIZATION FROM CW INDUSTRIES INCORPORATED, SOUTHAMPTON, PENNSYLVANIA USA.

Rating	16(4)A 125/250Vac T85 cRU _{US}	Mounting Hole		Circuit Diagram	
	20A 125Vac 21A 14VDC / 10A 28VDC				
Contact Resistance	50m ohm Max.				
Insulation Resistance	DC 500V 100M ohm Min.				
Dielectric Strength	AC 1500V 1 minute				
Operation Temperature	-20°~85°	Thickness(mm)	X(mm)		Y(mm)
Switch Function	2P SPST ON-OFF	0.75~1.25	21.2+0.1		36.6 ^{+0.2} _{-0.1}
		1.25~2.0		36.8 ^{+0.2} _{-0.1}	
		2.0~3.0		37.0 ^{+0.2} _{-0.1}	



MATERIAL:
 Frame: Nylon 66, Black
 Actuator: Nylon 66 with 33%GF, Black
 Water proof and dust proof to fit IP-56



Order Chart							
Series		Actuator Type		Terminal Type		No Bulb	
GRB260	A	1	01	B	B	N	N
Function		Frame Color		Actuator Color		No Marking	

R13-260A1-01-BB

3 Updated Ratings. 1/31/18.

2 20A 125VAC 10A 250VAC was 20A 125VAC 10A 25VAC in Rating. 1/24/11.

CW INDUSTRIES
 Southampton, Pa. 18966
 Tel 215.355.7080/www.cwind.com

Date Drawn: 1/24/11

Rev. 3

Unit: mm

Checked By: *G. GULD*

Title: **ROCKER SWITCH**

CW P/N: **GRB260A101BBNN**