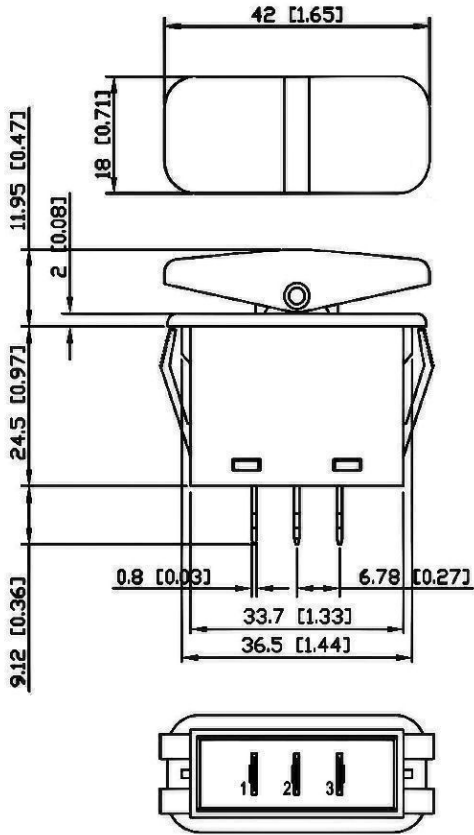
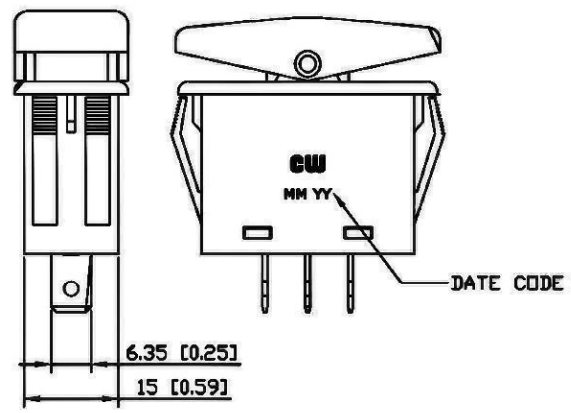


THIS INFORMATION IS CONFIDENTIAL AND PROPRIETARY TO CW INDUSTRIES INCORPORATED AND ITS AFFILIATES. IT MAY NOT BE DISCLOSED TO ANYONE, OTHER THAN CW INDUSTRIES PERSONNEL, WITHOUT WRITTEN AUTHORIZATION FROM CW INDUSTRIES INCORPORATED, SOUTHAMPTON, PENNSYLVANIA USA.

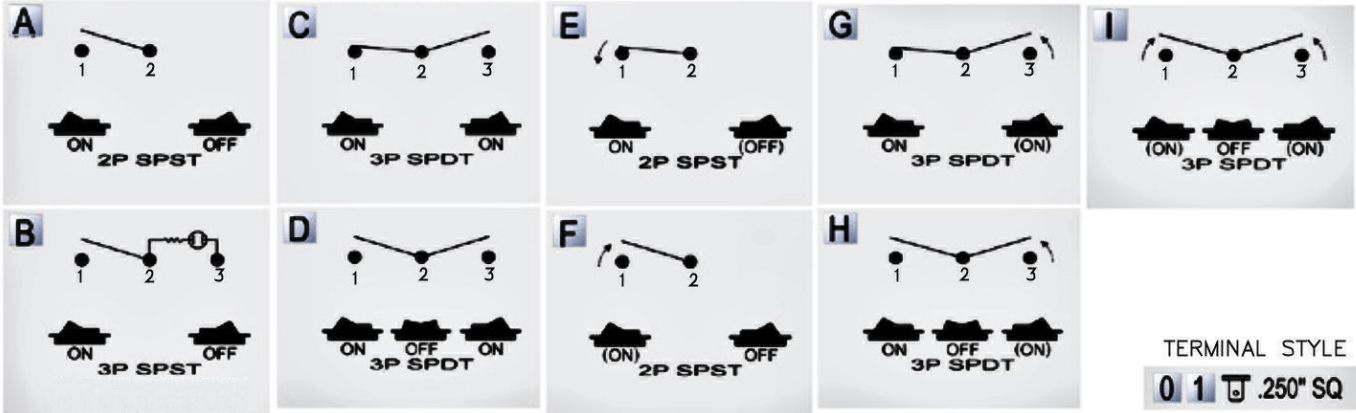
<b>Rating</b>	20A 125VAC 1/3HP 10A 250VAC 3/4HP (A,B,C,D) 20A 14VAC 10A 24VAC		<b>Mounting Hole</b>		<b>Circuit Diagram</b>
	20A 125VAC 3/4HP 10A 250VAC 3/4HP (E, F, G, H, I) 20A 14VAC 10A 24VAC 10(4)A 250-				
<b>Contact Resistance</b>	50m ohm Max.			<b>SEE CHART</b>	
<b>Insulation Resistance</b>	DC 500V 100M ohm Min.				
<b>Dielectric Strength</b>	AC 1500V 1 minute				
<b>Operation Temp.</b>	- 20° C ~ 85° C				
<b>Function</b>	SEE CHART				
		<b>Thickness</b>	<b>X</b>	<b>Y</b>	
		0.75~5mm	36.8 <sup>+0.2</sup>	15.3 <sup>+0.2</sup>	
		0.03~0.2Inch	1.45 <sup>+0.008</sup>	.60 <sup>+0.008</sup>	



Frame: Black, Nylon # 66  
 Actuators: Black, Nylon # 66+33%GF  
 Terminals: Silver plated brass  
 Illuminated actuators are PC, in Red, Amber or Green Colors  
 Water proof and dust proof to fit IP-56



**FUNCTION**



TERMINAL STYLE  
 .250" SQ

RoHS Compliant

( ) = Momentary Function

<b>CW INDUSTRIES</b> Southampton, Pa. 18966 Tel 215.355.7080/www.cwind.com	Date Drawn: 1/21/2011	Rev. 0	Unit: mm	Checked By: G.Guld
	Title: <b>ROCKER SWITCH</b>		CW P/N: <b>GRB258XSERIES</b>	