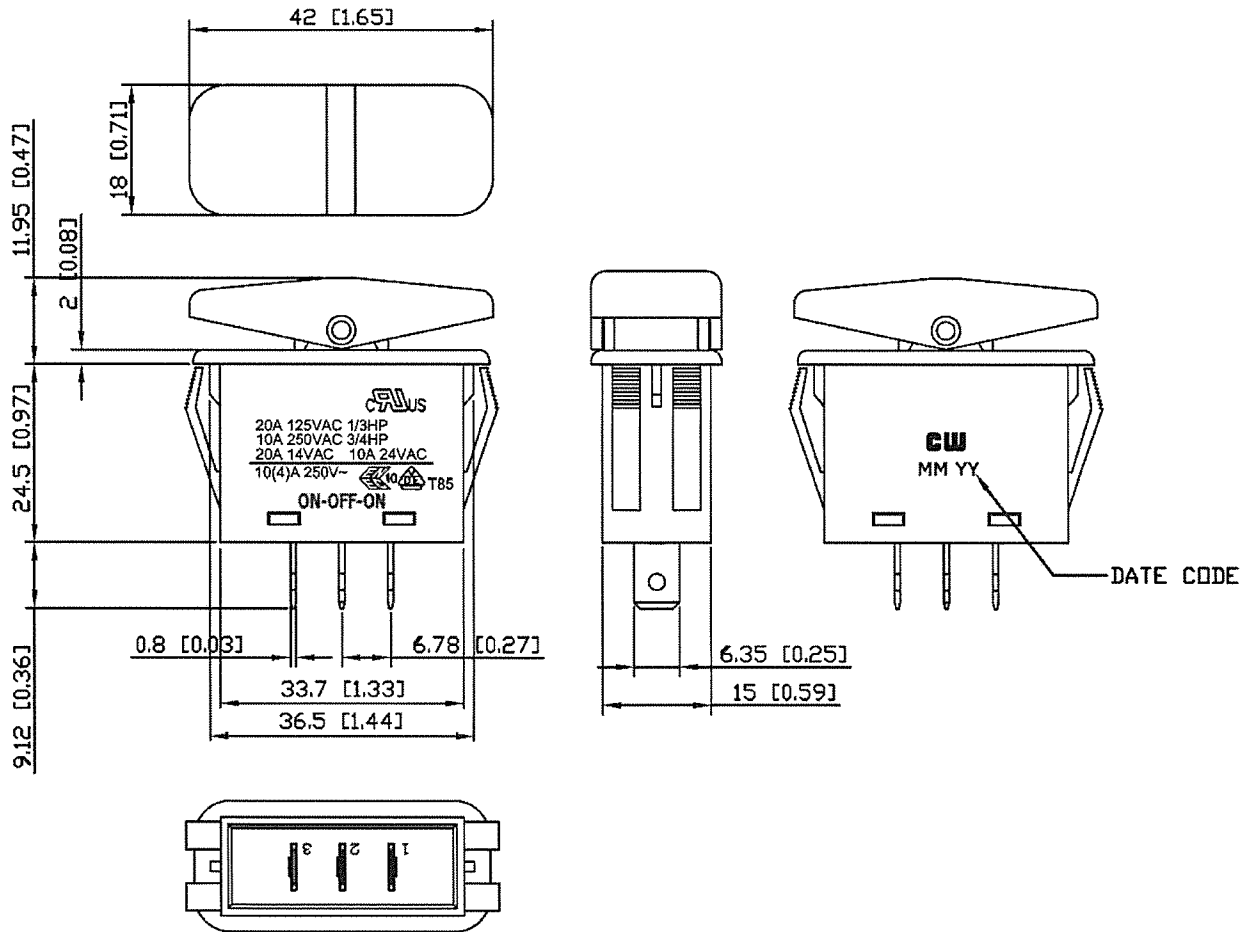


THIS INFORMATION IS CONFIDENTIAL AND PROPRIETARY TO CW INDUSTRIES INCORPORATED AND ITS AFFILIATES. IT MAY NOT BE DISCLOSED TO ANYONE, OTHER THAN CW INDUSTRIES PERSONNEL, WITHOUT WRITTEN AUTHORIZATION FROM CW INDUSTRIES INCORPORATED, SOUTHAMPTON, PENNSYLVANIA USA.

| | | |
|-----------------------|---|--|
| Rating | 20A 125VAC 1/3HP 10A 250VAC 3/4HP 20A 14VAC 10A 24VAC | |
| | 10(4)A 250V~ | |
| Contact Resistance | 50m ohm Max. | |
| Insulation Resistance | DC 500V 100M ohm Min. | |
| Dielectric Strength | AC 1500V 1 minute | |
| Operation Temp. | - 20°C ~ 85°C | |
| Function | 3P SPDT ON-OFF-ON | |

| Mounting Hole | | Circuit Diagram |
|--------------------------|--|---|
| | | |
| Thickness | X | Y |
| 0.75~5mm 0.03~0.2Inch | 36.8 ^{+0.2} 1.45 ^{+0.008} | 15.3 ^{+0.2} .60 ^{+0.008} |

Material:
 Frame: Black, Nylon# 66
 Actuator: Black, Nylon#66+33%GF
 Printed: None
 Water proof and dust proof to fit IP-56



RoHS Compliant

1 | Rotated bottom view, flipped circuit diagram & added ON-OFF-ON to side of housing. 1/17/11.

CW INDUSTRIES
 Southampton, Pa. 18966
 Tel 215.355.7080/www.cwind.com

Date Drawn: 12/08/10

Rev. 1

Unit: mm

Checked By: G.Guld

Title:

ROCKER SWITCH

CW P/N:

GRB258D01BB