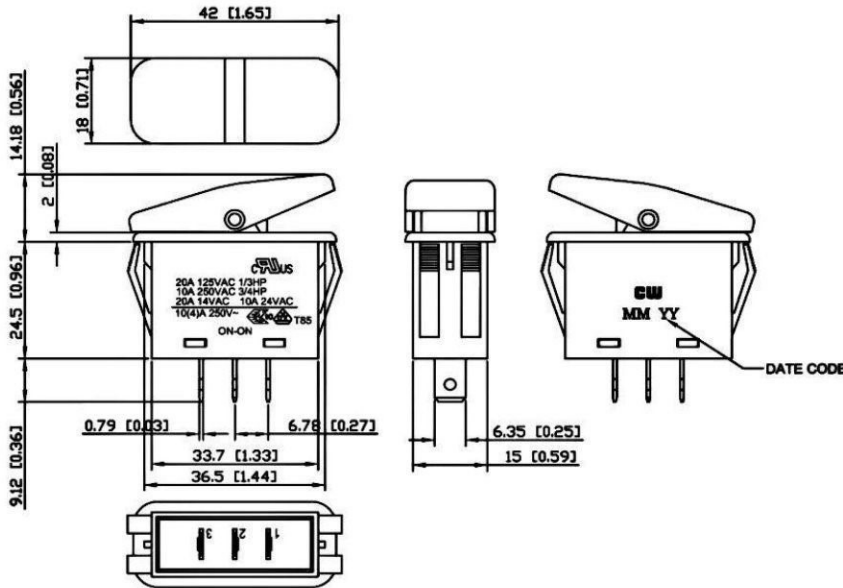


THIS INFORMATION IS CONFIDENTIAL AND PROPRIETARY TO CW INDUSTRIES INCORPORATED AND ITS AFFILIATES. IT MAY NOT BE DISCLOSED TO ANYONE, OTHER THAN CW INDUSTRIES PERSONNEL, WITHOUT WRITTEN AUTHORIZATION FROM CW INDUSTRIES INCORPORATED, SOUTHAMPTON, PENNSYLVANIA USA.

Rating	20A 125VAC 1/3HP, 10A 250VAC 3/4HP (A,B,C,D,)	
	20A 14VAC 10A 24VAC	
	20A 125VAC 3/4HP, 10A 250VAC 3/4HP (E,F,G,H,I)	
	20A 14VAC 10A 24VAC	
Contact Resistance	50m ohm Max.	
Insulation Resistance	DC 500V 100M ohm Min.	
Dielectric Strength	AC 1500V 1 minute	
Operation Temperature	-20°C ~ 85°C	

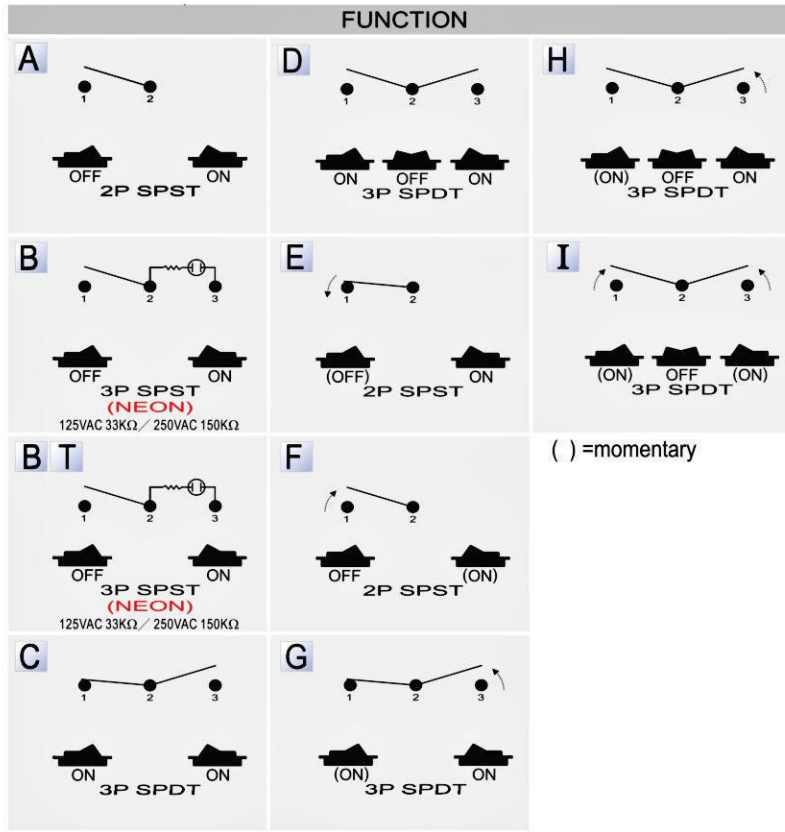
Cut - Out		
X Y		
	X	Y
0.75~5mm	36.8 +0.2 -0	15.3 +0.2 -0
0.03~0.2in.	1.45in. +0.008" -0"	.60in. +0.008" -0"



**Frame: Black, Nylon #66**  
**Actuator: Black, Nylon #66+33%GF**  
**Terminals: Silver plated brass**  
 Illuminated actuators are PC, Ref. Chart for colors.  
 Water proof and dust proof to IP-56 using mounting panel seal.

Actuator/Lens Color List

A= Amber G= Green  
 B= Black R= Red  
 U= Blue W= White



**CW INDUSTRIES**  
 Southampton, Pa. 18966  
 Tel 215.355.7080/www.cwind.com

Date Drawn: DW 4/26/21	Rev. 0	Unit: mm	Checked By:
Title: <b>ROCKER SWITCH</b>		CW P/N: <b>GRB258 SERIES</b>	