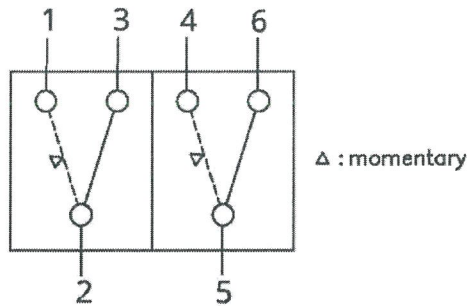


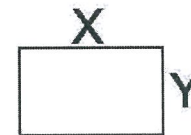
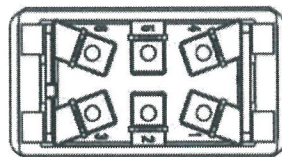
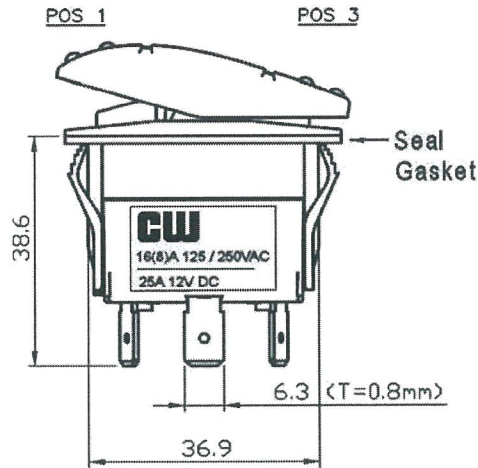
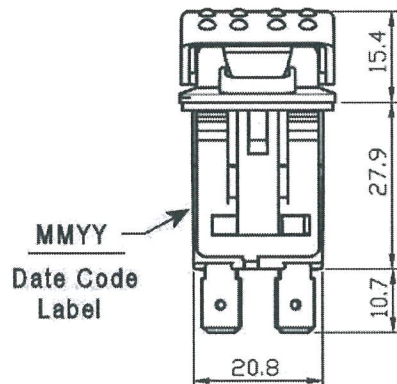
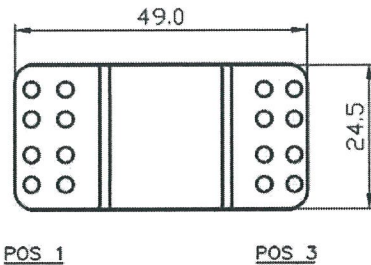
THIS INFORMATION IS CONFIDENTIAL AND PROPRIETARY TO CW INDUSTRIES INCORPORATED AND ITS AFFILIATES. IT MAY NOT BE DISCLOSED TO ANYONE, OTHER THAN CW INDUSTRIES PERSONNEL, WITHOUT WRITTEN AUTHORIZATION FROM CW INDUSTRIES INCORPORATED, SOUTHAMPTON, PENNSYLVANIA USA.



Rating:
 16(8) 125/250VAC
 25A 12 V DC

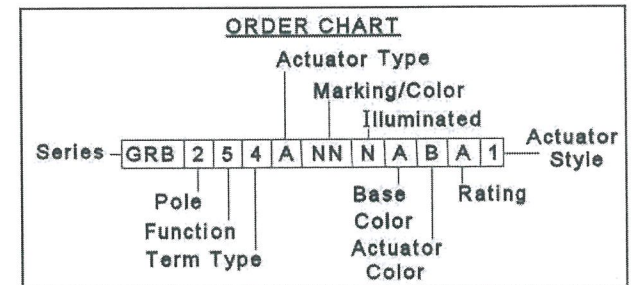
Dielectric withstand voltage: 1500VAC for 1 Minute
 Insulation resistance: DC 500V 100M Ω (min)
 Contact resistance: 20mΩ Initial (Max)
 IP Rating: IP67
 Actuator color: Black
 Base Color: Gray

Function: (ON) - ON DPDT
 Pos 1 Pos 3 () = Momentary



	X	Y
1.0~1.5	37.3 ^{+0.0} _{-0.1}	21.2 ^{+0.1} _{-0.0}
2.5~3.0	37.5 ^{+0.0} _{-0.1}	21.2 ^{+0.1} _{-0.0}
3.5~4.5	37.7 ^{+0.0} _{-0.1}	21.2 ^{+0.1} _{-0.0}

Panel Cut-out



MASTER

X5-254ANN-NABA-1NNW

CW INDUSTRIES
 Southampton, Pa. 18966
 Tel 215.355.7080/www.cwind.com

Date Drawn: DW 4/23/21

Rev. 0

Unit: mm

Checked By: *G. GULD*

Title:
ROCKER SWITCH

CW P/N:
GRB254ANNABA1

Tolerances unless otherwise specified
 +/- .012/0.3 mm.