

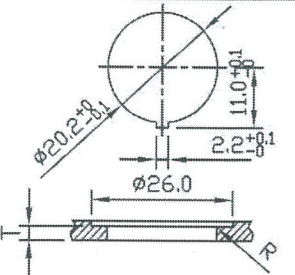
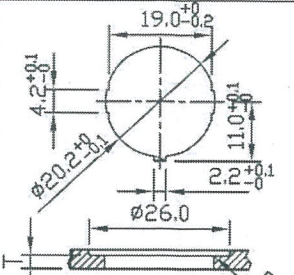
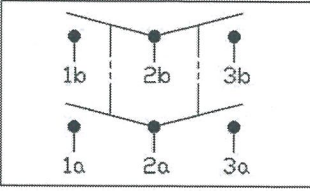
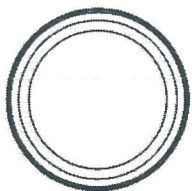
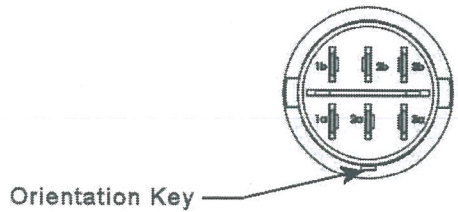
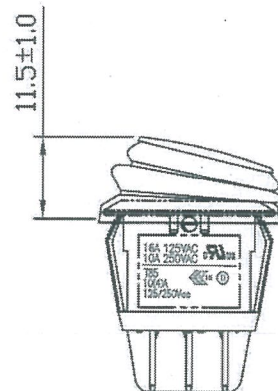
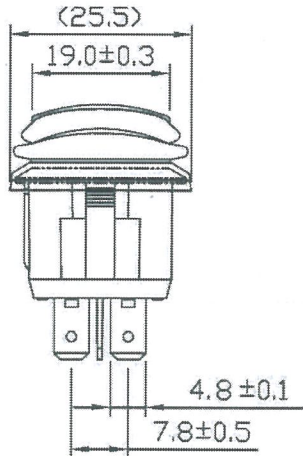
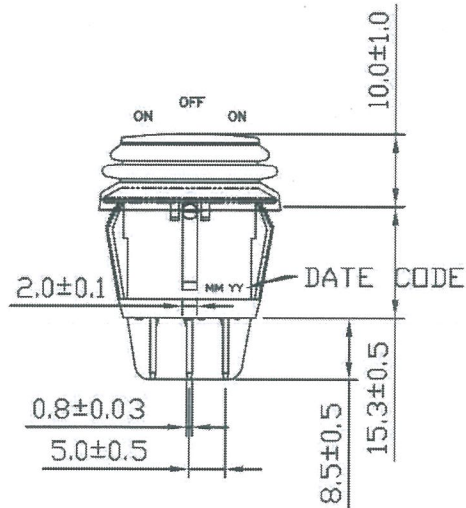


THIS INFORMATION IS CONFIDENTIAL AND PROPRIETARY TO CW INDUSTRIES INCORPORATED AND ITS AFFILIATES. IT MAY NOT BE DISCLOSED TO ANYONE, OTHER THAN CW INDUSTRIES PERSONNEL, WITHOUT WRITTEN AUTHORIZATION FROM CW INDUSTRIES INCORPORATED, SOUTHAMPTON, PENNSYLVANIA USA.

Rating	16A 125VAC 10A 250VAC	 	Mounting Hole	
	10(4)A 125/250VAC T85			
Contact Resistance	50m ohm Max.		Thickness:1.5~2.5	
Insulation Resistance	DC 500V 100M ohm Min.		Thickness:0.7~2.5	
Dielectric Strength	AC 1500V 1 minute			
Operation Temperature	-25°C~85°C			
Switch Function	6P DPDT ON-OFF-ON			



Frame: Black, Nylon 66 (94-V2)  
 Actuator: Black, PC (94-V2)  
 Waterproof rubber: Black, Silicone  
 Printed: None  
 Waterproof: IP65



**MASTER**

RoHS Compliant

2	Removed CW logo. DW 76\13\23
1	Redrawn. Added Orientation Key & 10(4)A 125/250VAC & updated tolerances. 9/14/16.

**CW INDUSTRIES**  
 Southampton, Pa. 18966  
 Tel 215.355.7080/www.cwind.com

Date Drawn: 5/17/10

Rev. 2

Unit: mm

Checked By: *G. GOLD*

Title: **ROCKER SWITCH**

CW P/N: **GRB244D802BB**