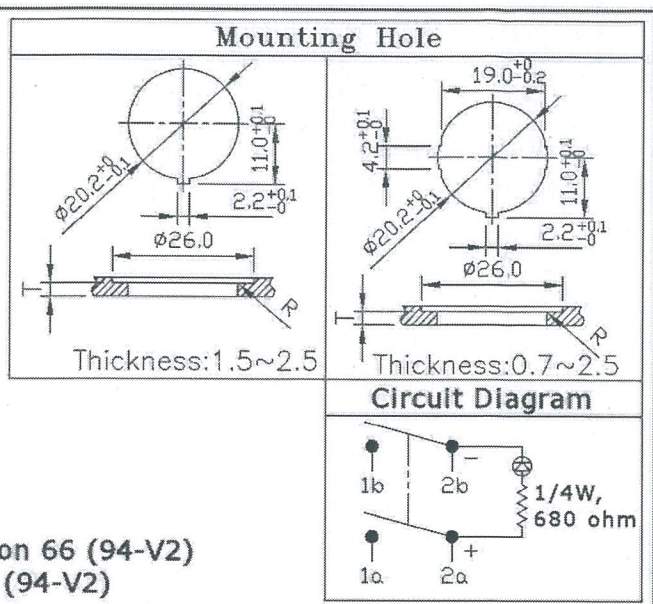
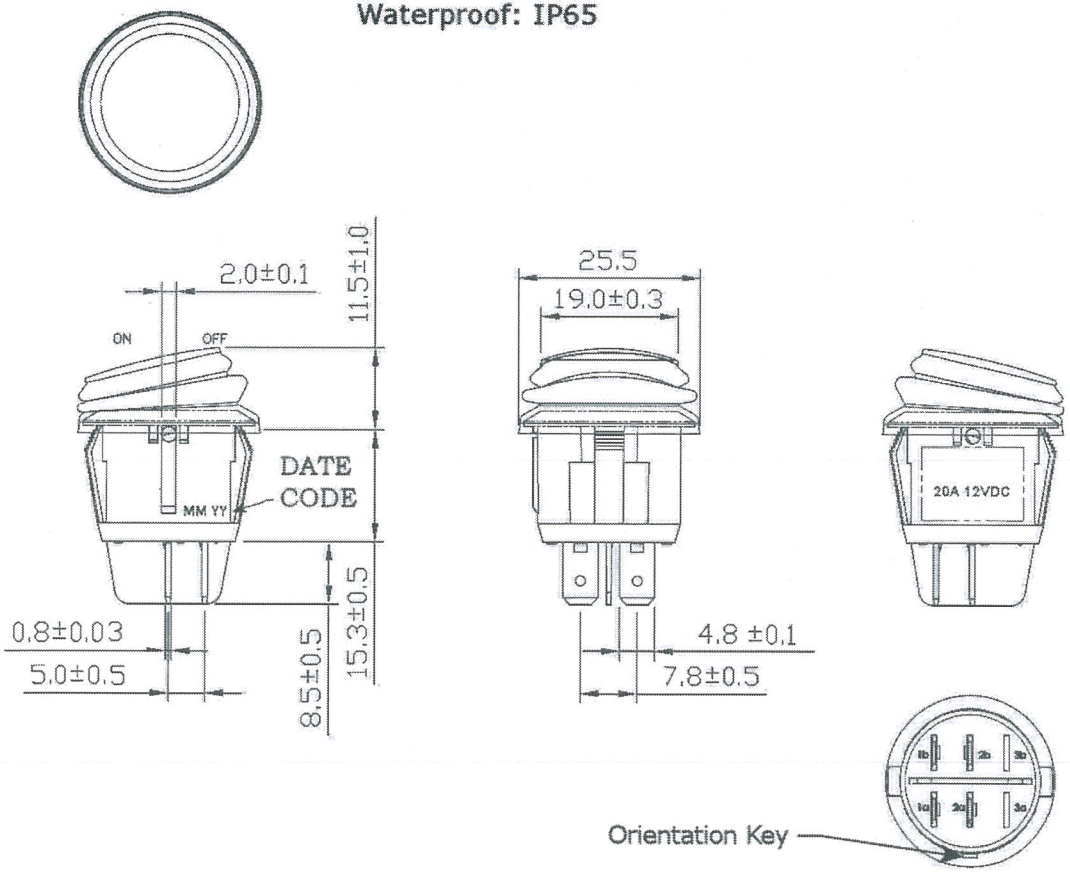


THIS INFORMATION IS CONFIDENTIAL AND PROPRIETARY TO CW INDUSTRIES INCORPORATED AND ITS AFFILIATES. IT MAY NOT BE DISCLOSED TO ANYONE, OTHER THAN CW INDUSTRIES PERSONNEL, WITHOUT WRITTEN AUTHORIZATION FROM CW INDUSTRIES INCORPORATED, SOUTHAMPTON, PENNSYLVANIA USA.

Rating	20A 12VDC		
Configured For			
Contact Resistance	50m ohm Max.		
Insulation Resistance	DC 500V 100M ohm Min.		
Dielectric Strength	AC 1500V 1 minute		
Operation Temp.	- 25° C ~ 85° C		
Function	4P DPST ON-OFF Lamp Dependent		
Lamp Type	Red LED W/Resistor		



Frame: Black, Nylon 66 (94-V2)
 Actuator: Red, PC (94-V2)
 Led: Red
 Waterproof rubber: Black, Silicone
 Terminals: Silver plated, Copper alloy
 Printed: None
 Waterproof: IP65



RoHS Compliant

MASTER

6	Removed CW logo. DW 7/13/23
5	Redrawn. Updated Tolerances. 9/14/2016.
4	Updated Rating/Lamp Type Info. and views. 1/07/15.

CW INDUSTRIES
 Southampton, Pa. 18966
 Tel 215.355.7080/www.cwind.com

Date Drawn: 1/28/11

Rev. 6

Unit: mm

Checked By: *G. GULD*

Title: **ROCKER SWITCH**

CW P/N: **GRB244B802BR1**