
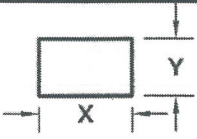
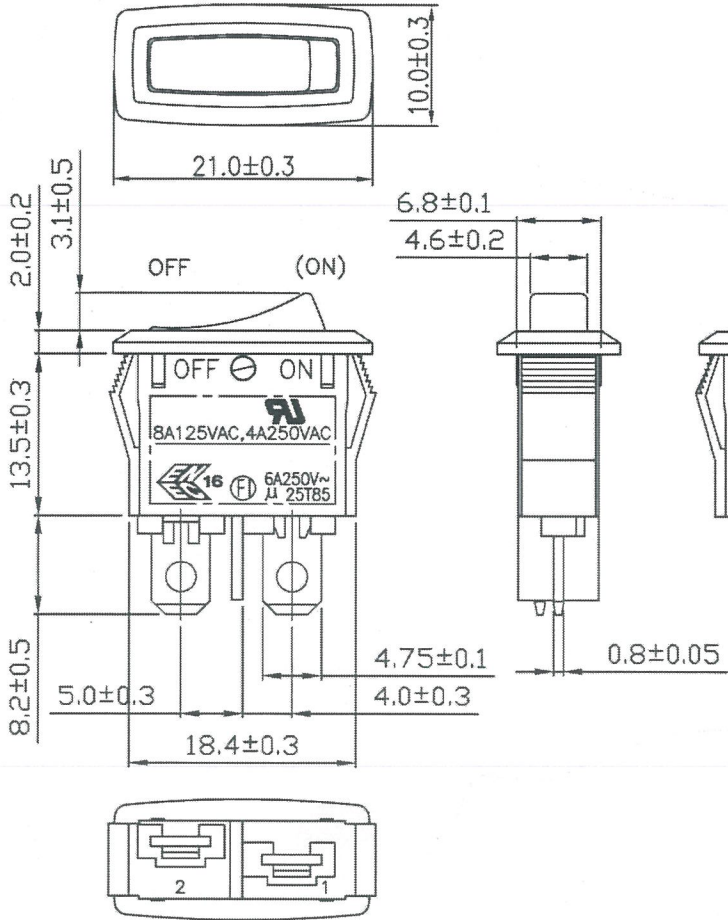


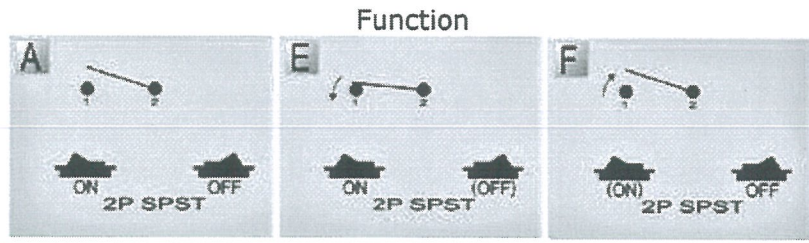
THIS INFORMATION IS CONFIDENTIAL AND PROPRIETARY TO CW INDUSTRIES INCORPORATED AND ITS AFFILIATES. IT MAY NOT BE DISCLOSED TO ANYONE, OTHER THAN CW INDUSTRIES PERSONNEL, WITHOUT WRITTEN AUTHORIZATION FROM CW INDUSTRIES INCORPORATED, SOUTHAMPTON, PENNSYLVANIA USA.

Rating	8A 125V AC, 4A 250V AC (A & F)		Mounting Hole														
	8A 125V AC, 4A 250V AC																
	10A 125V AC, 6A 250V AC (E)		<table border="1"> <thead> <tr> <th>Thickness</th> <th>X</th> <th>Y</th> </tr> </thead> <tbody> <tr> <td>0.75 - 1.25</td> <td>19.2 - 0.1</td> <td>7.0 + 0.1</td> </tr> <tr> <td>1.25 - 2.00</td> <td>19.4 - 0.1</td> <td>7.0 + 0.1</td> </tr> <tr> <td>2.00 - 3.00</td> <td>19.8 - 0.1</td> <td>7.0 + 0.1</td> </tr> </tbody> </table>			Thickness	X	Y	0.75 - 1.25	19.2 - 0.1	7.0 + 0.1	1.25 - 2.00	19.4 - 0.1	7.0 + 0.1	2.00 - 3.00	19.8 - 0.1	7.0 + 0.1
	Thickness		X	Y													
0.75 - 1.25	19.2 - 0.1	7.0 + 0.1															
1.25 - 2.00	19.4 - 0.1	7.0 + 0.1															
2.00 - 3.00	19.8 - 0.1	7.0 + 0.1															
10A 28V DC, 6A 14 VT																	
	6A 250V ~ M																
Contact Resistance	50m ohm max.																
Insulation Resistance	DC 500V 100M ohm min.																
Dielectric Strength	AC 1500V 1 minute																
Operating Temperature	-25°C ~ 85°C																



Frames are nylon (UL flame: 94V-2).
 Terminals are silver plated brass.
 Optional printed white dot on button available.

ORDER CHART						
Series	GRB243	X	02	B	B	Actuator Color
Function Terminal						Frame Color



Terminal
 0 2  .187" SQ

() = Momentary Function

MASTER

RoHS Compliant

1 Redrawn. Removed Logo & added Order chart. DW 3/08/23.

CW INDUSTRIES
 Southampton, Pa. 18966
 Tel 215.355.7080/www.cwind.com

Date Drawn: 2/08/11

Rev. 1

Unit: mm

Checked By: *G. GOLD*

Title: **ROCKER SWITCH**

CW P/N: **GRB243XSERIES**