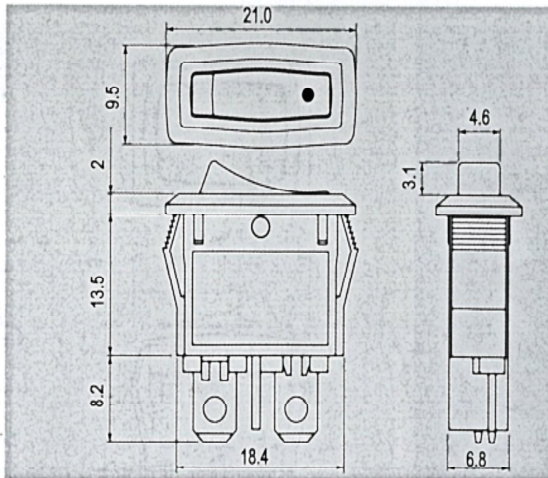


## GRB243 SERIES MINI ROCKER SWITCH



### Rating

8A 125V AC  
4A 250V AC

### Contact resistance

50mΩ Max

### Insulation resistance

DC 500V 100MΩ Min

### Dielectric strength

AC 1500V 1 minute

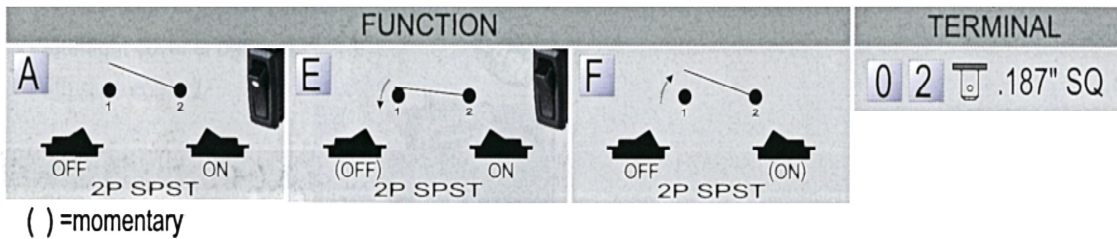
### Cut-out

X

Y

	X	Y
0.75-1.25	19.2±0.1	7.0±0.1
1.25-2.0	19.4±0.1	7.0±0.1
2.0-3.0	19.8±0.1	7.0±0.1

- \* MATERIAL: Frame is nylon (UL flame: 94V-2). Terminals are silver plated brass.
- \* Snap-in mounting, easy to install switch into panel.



( ) =momentary