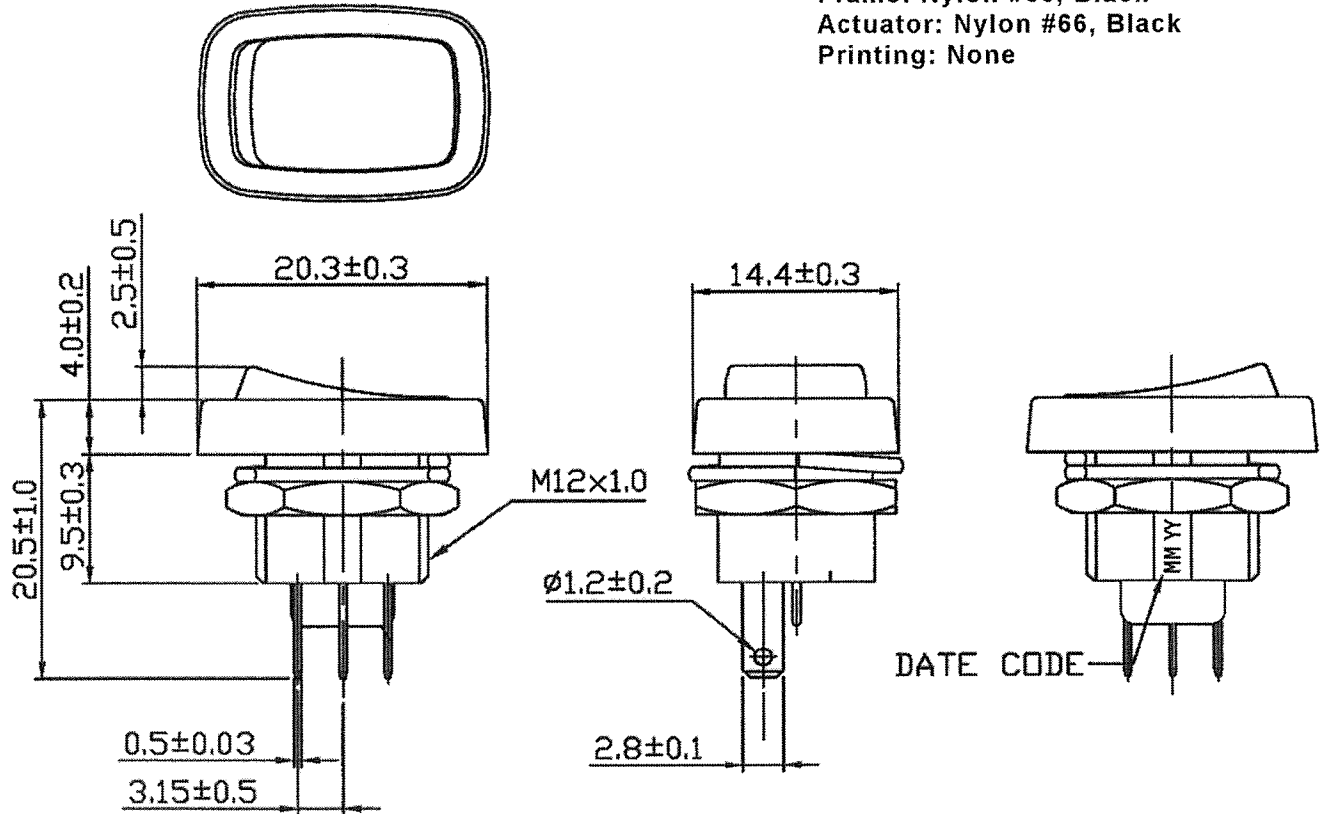


THIS INFORMATION IS CONFIDENTIAL AND PROPRIETARY TO CW INDUSTRIES INCORPORATED AND ITS AFFILIATES. IT MAY NOT BE DISCLOSED TO ANYONE, OTHER THAN CW INDUSTRIES PERSONNEL, WITHOUT WRITTEN AUTHORIZATION FROM CW INDUSTRIES INCORPORATED, SOUTHAMPTON, PENNSYLVANIA USA.

Rating	6A 125V, 3A 250V AC		
Contact Resistance	50m ohm max.		
Insulation Resistance	DC 500V 100M ohm min.		
Dielectric Strength	AC 1000V 1 minute		
Switch Function	3P SPDT ON - ON		

Cut-Out 6.0 mm thk. max.

Material:
 Frame: Nylon #66, Black
 Actuator: Nylon #66, Black
 Printing: None



Order Chart			
Series	Terminal Style		
GRB213	C	03	B B
Function		Frame Color	Actuator Color

R13-213C-03-BB

1 Redrawn. Removed Logo. DW 3/08/23.

CW INDUSTRIES
 Southampton, Pa. 18966
 Tel 215.355.7080/www.cwind.com

Date Drawn: DW 8/18/20

Rev. 1

Unit: mm

Checked By: *G. GULD*

Title:
ROCKER SWITCH

CW P/N:
GRB213C03BB