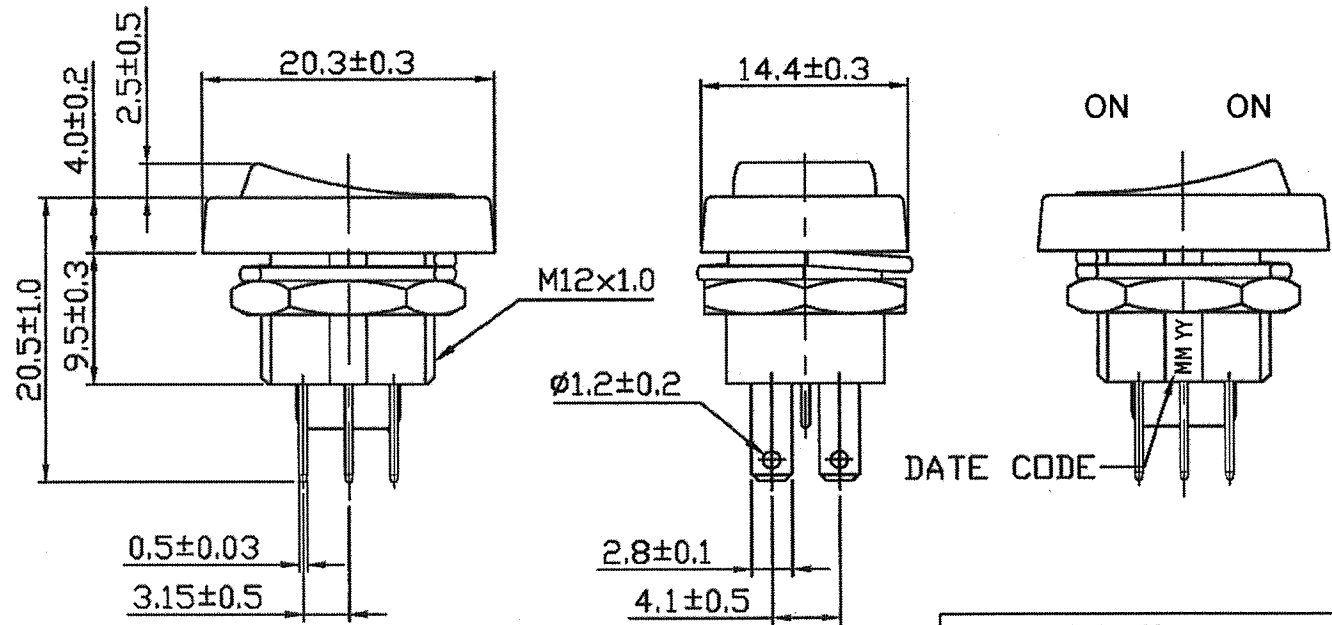
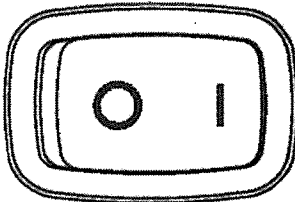


THIS INFORMATION IS CONFIDENTIAL AND PROPRIETARY TO CW INDUSTRIES INCORPORATED AND ITS AFFILIATES. IT MAY NOT BE DISCLOSED TO ANYONE, OTHER THAN CW INDUSTRIES PERSONNEL, WITHOUT WRITTEN AUTHORIZATION FROM CW INDUSTRIES INCORPORATED, SOUTHAMPTON, PENNSYLVANIA USA.

Rating	6A 125V, 3A 250V AC		
Contact Resistance	50m ohm max.		
Insulation Resistance	DC 500V 100M ohm min.		
Dielectric Strength	AC 1000V 1 minute		
Switch Function	6P DP DT ON - ON		

Cut-Out 6.0 mm thk. max.

Material:  
 Frame: Black, Nylon #66  
 Actuator: Black, Nylon #66  
 Printing: White, Hot Stamping



Order Chart					
Series	Terminal Style				
GRB213	B	03	B	B	73
Function	Frame Color	Actuator Color	Printing		

1 Redrawn. Removed Logo. DW 3/08/23.

<p>Southampton, Pa. 18966 Tel 215.355.7080/www.cwind.com</p>	Date Drawn: 9/14/2018	Rev. 1	Unit: mm	Checked By: <i>G. GULD</i>
	Title: <b>ROCKER SWITCH</b>		CW P/N: <b>GRB213B03BB73</b>	