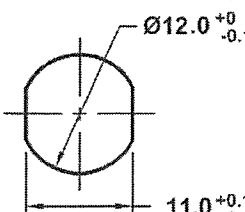
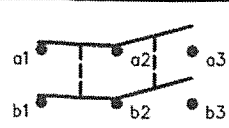
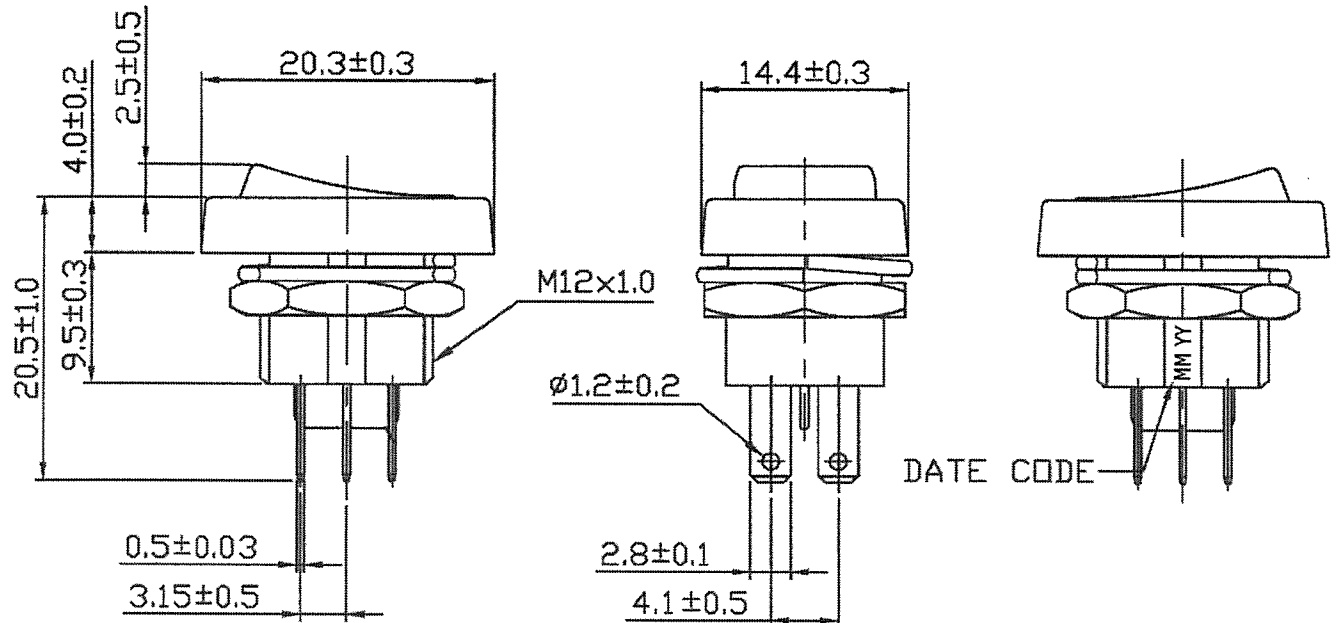
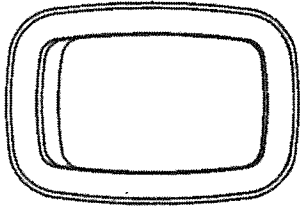


THIS INFORMATION IS CONFIDENTIAL AND PROPRIETARY TO CW INDUSTRIES INCORPORATED AND ITS AFFILIATES. IT MAY NOT BE DISCLOSED TO ANYONE, OTHER THAN CW INDUSTRIES PERSONNEL, WITHOUT WRITTEN AUTHORIZATION FROM CW INDUSTRIES INCORPORATED, SOUTHAMPTON, PENNSYLVANIA USA.

Rating	6A 125V, 3A 250V AC	<b>Mounting Hole</b> 	<b>Circuit Diagram</b>  <b>DPDT ON - ON</b>
Contact Resistance	50m ohm max.		
Insulation Resistance	DC 500V 100M ohm min.		
Dielectric Strength	AC 1000V 1 minute		

BASE COLOR: Black  
 BUTTON COLOR: Black


Cut-Out 6.0 mm thk. max.



Order Chart			
Series	Terminal Style		
GRB213	B	03	B B
Function			
Frame Color			
Actuator Color			

- 3 Redrawn. Removed Logo. DW 3/07/23.
- 2 Updated dimensions. 4.1+/-0.5 was 4.7+/-0.5 & 0.5+/-0.03 was 0.5+/-0.05. DW 9-14-18
- 1 Removed  $\text{R}$  &  $\text{C}$  from ratings. 2/08/11.

R13-213B-03-BB

 <b>CW INDUSTRIES</b> Southampton, Pa. 18966 Tel 215.355.7080/www.cwind.com	Date Drawn: 12/18/09	Rev. 3	Unit: mm	Checked By: <i>G. GULD</i>
	Title: <b>ROCKER SWITCH</b>		CW P/N: <b>GRB213B03BB</b>	