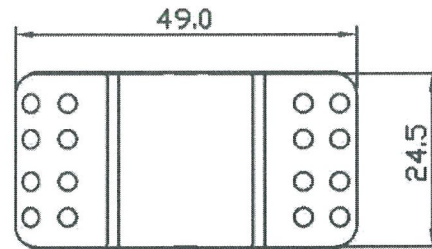
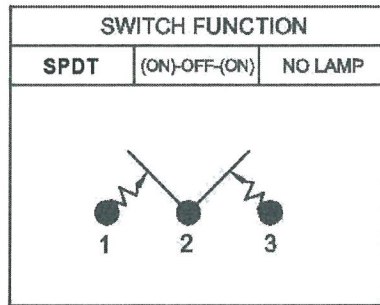


THIS INFORMATION IS CONFIDENTIAL AND PROPRIETARY TO CW INDUSTRIES INCORPORATED AND ITS AFFILIATES. IT MAY NOT BE DISCLOSED TO ANYONE, OTHER THAN CW INDUSTRIES PERSONNEL, WITHOUT WRITTEN AUTHORIZATION FROM CW INDUSTRIES INCORPORATED, SOUTHAMPTON, PENNSYLVANIA USA.

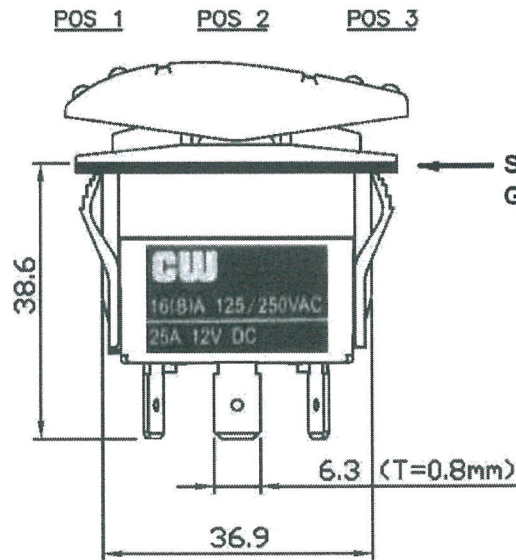
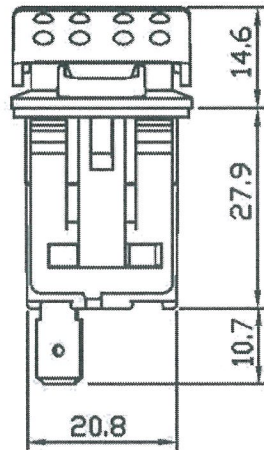


Rating:
16(8) 125/250VAC
25A 12 V DC

Dielectric withstand voltage: 1500VAC for 1 Minute
Insulation resistance: DC 500V 100M Ω (min)
Contact resistance: 20mΩ Initial (Max)
IP Rating: IP67
Actuator color: Black
Base Color: Gray

Function: (ON) - OFF - (ON)
POS 1 POS 2 POS 3

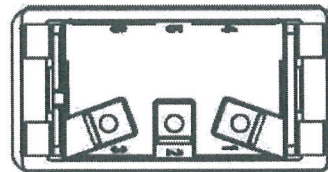
() = Momentary



	X	Y
	X	Y
1.0~1.5	37.3 ^{+0.0} _{-0.1}	21.2 ^{+0.1} _{-0.0}
2.5~3.0	37.5 ^{+0.0} _{-0.1}	21.2 ^{+0.1} _{-0.0}
3.5~4.5	37.7 ^{+0.0} _{-0.1}	21.2 ^{+0.1} _{-0.0}

Panel Cut-out

Tolerances unless otherwise specified: ± .012 / 0.3 (mm)



MASTER

ORDER CHART											
Actuator Type											
Marking/Color											
Illuminated											
Actuator Style											
Series	GRB	1	6	4	A	NN	N	A	B	A	1
	Pole	Function	Term	Type		Base	Color	Actuator	Color	Rating	

X5-164ANN-NABA-1NNW

CW INDUSTRIES
Southampton, Pa. 18966
Tel 215.355.7080/www.cwind.com

Date Drawn: DW 4/23/21

Rev. 0

Unit: mm

Checked By: G. GULD

Title:
ROCKER SWITCH

CW P/N:
GRB164ANNNABA1