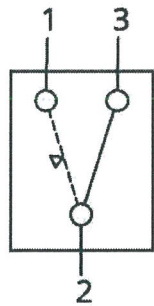
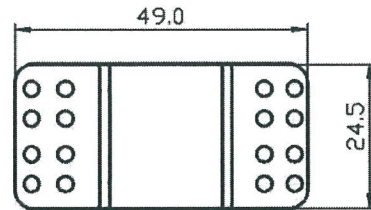


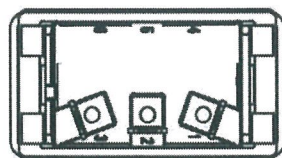
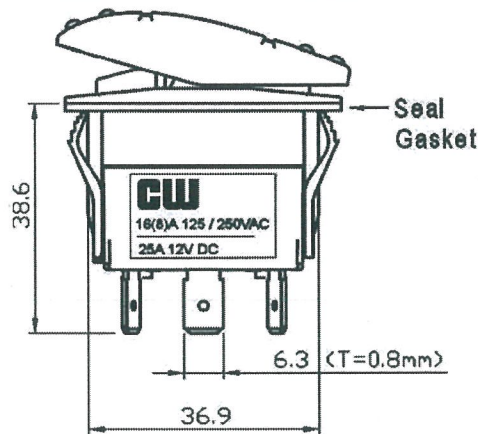
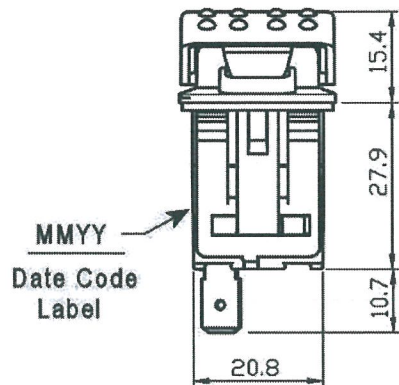
THIS INFORMATION IS CONFIDENTIAL AND PROPRIETARY TO CW INDUSTRIES INCORPORATED AND ITS AFFILIATES. IT MAY NOT BE DISCLOSED TO ANYONE, OTHER THAN CW INDUSTRIES PERSONNEL, WITHOUT WRITTEN AUTHORIZATION FROM CW INDUSTRIES INCORPORATED, SOUTHAMPTON, PENNSYLVANIA USA.



Δ : momentary



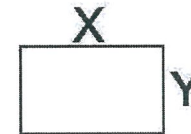
POS 1 POS 3



Rating:
16(8) 125/250VAC
25A 12 V DC

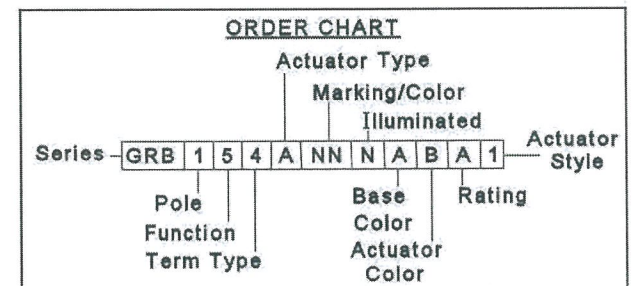
Dielectric withstand voltage: 1500VAC for 1 Minute
Insulation resistance: DC 500V 100M Ω (min)
Contact resistance: 20mΩ Initial (Max)
IP Rating: IP67
Actuator color: Black
Base Color: Gray

Function: (ON) - ON SPDT
Pos 1 Pos 3 () = Momentary



	X	Y
1.0~1.5	37.3 ^{+0.0} _{-0.1}	21.2 ^{+0.1} _{-0.0}
2.5~3.0	37.5 ^{+0.0} _{-0.1}	21.2 ^{+0.1} _{-0.0}
3.5~4.5	37.7 ^{+0.0} _{-0.1}	21.2 ^{+0.1} _{-0.0}

Panel Cut-out



MASTER

X5-154ANN-NABA-1NNW

CW INDUSTRIES
Southampton, Pa. 18966
Tel 215.355.7080/www.cwind.com

Date Drawn: DW 4/23/21

Rev. 0

Unit: mm

Checked By: *G. GULD*

Title:
ROCKER SWITCH

CW P/N:
GRB154ANNABA1

Tolerances unless otherwise specified
+/- .012/0.3 mm.