
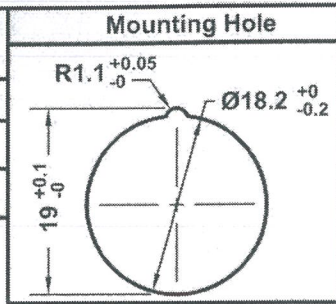


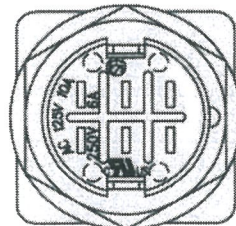
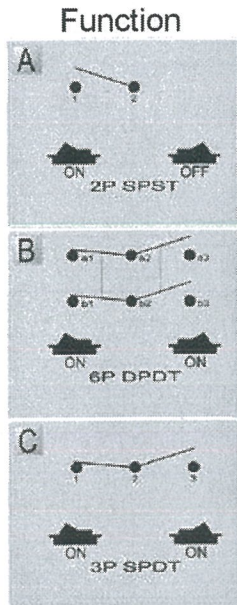
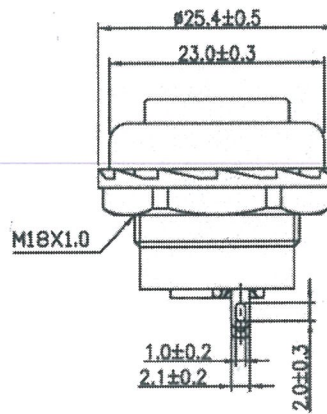
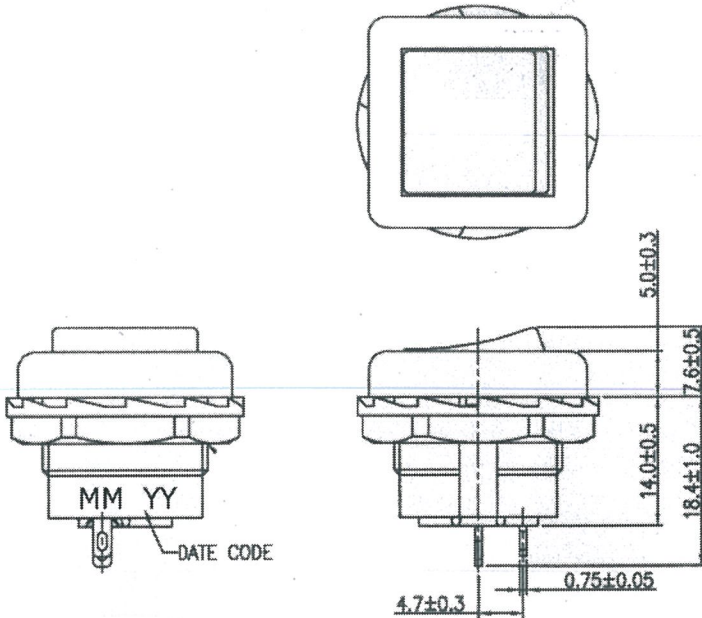
THIS INFORMATION IS CONFIDENTIAL AND PROPRIETARY TO CW INDUSTRIES INCORPORATED AND ITS AFFILIATES. IT MAY NOT BE DISCLOSED TO ANYONE, OTHER THAN CW INDUSTRIES PERSONNEL, WITHOUT WRITTEN AUTHORIZATION FROM CW INDUSTRIES INCORPORATED, SOUTHAMPTON, PENNSYLVANIA USA.

Rating	10A 125V, 6A 250V AC	
Contact Resistance	50m ohm max.	
Insulation Resistance	DC 500V 100M ohm min.	
Dielectric Strength	AC 1500V 1 minute	



Cut-Out 6.0 mm thk. max.

Phenolic Base.
Actuators are nylon (UL flame: 94V-2).
Terminals are silver plated brass.
Printing: White, Hot Stamp.



Terminal
0 5  SO

ORDER CHART					
Series	Function		Rocker	Base	Color
GRB	136	X 05	B	B	
Rocker Style		Terminal Style	Color		

RoHS Compliant

MASTER

1 | Removed logo and added order chart. DW 2/27/23.

CW INDUSTRIES
Southampton, Pa. 18966
Tel 215.355.7080/www.cwind.com

Date Drawn: 2/08/11

Rev. 1

Unit: mm

Checked By: *G. GULD*

Title:
ROCKER SWITCH

CW P/N:
GRB136XSERIES