

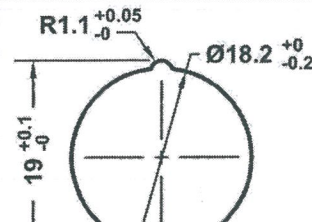
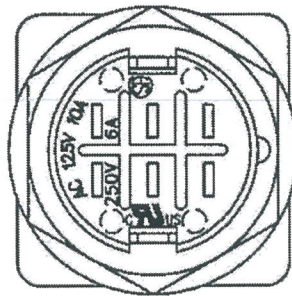
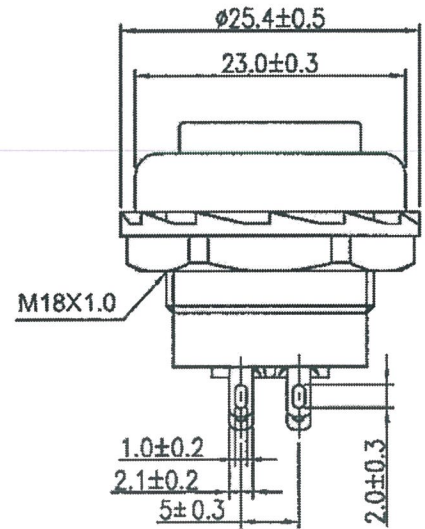
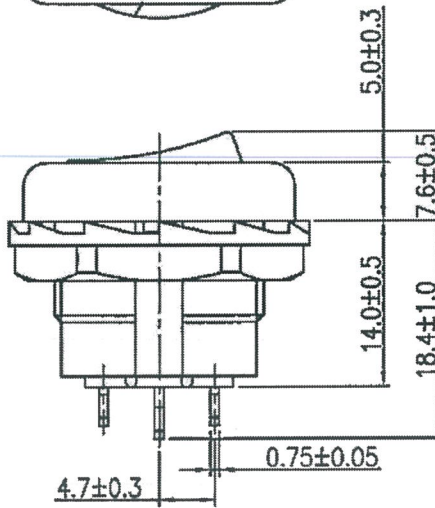
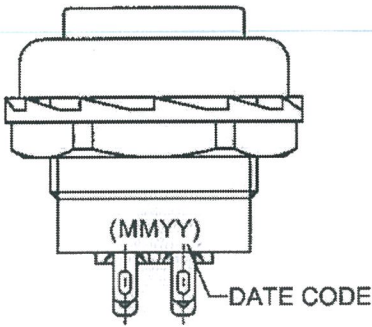
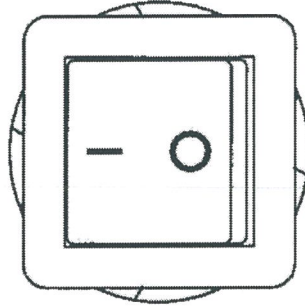


THIS INFORMATION IS CONFIDENTIAL AND PROPRIETARY TO CW INDUSTRIES INCORPORATED AND ITS AFFILIATES. IT MAY NOT BE DISCLOSED TO ANYONE, OTHER THAN CW INDUSTRIES PERSONNEL, WITHOUT WRITTEN AUTHORIZATION FROM CW INDUSTRIES INCORPORATED, SOUTHAMPTON, PENNSYLVANIA USA.

Rating	10A 125V, 6A 250V AC		Mounting Hole	
Contact Resistance	50m ohm max.			
Insulation Resistance	DC 500V 100M ohm min.			
Dielectric Strength	AC 1500V 1 minute			
Switch Function	6P DPDT ON-ON			

Cut-Out 6.0 mm thk. max.

Material:
 Frame: Black, PF
 Actuator: Black, Nylon#66
 Printed: White, hot stamping



ORDER CHART	
Series	Function
GRB 136 B 05 B B 2	Marking
Rocker Style	Rocker Color
Terminal Style	Base Color

RoHS Compliant

R13-136B-05-BB2

MASTER

1 | Removed logo and added order chart. DW 2/27/23.

CW INDUSTRIES
 Southampton, Pa. 18966
 Tel 215.355.7080/www.cwind.com

Date Drawn: 9-27-12

Rev. 1

Unit: mm

Checked By: *G. GULD*

Title:
ROCKER SWITCH

CW P/N:
GRB136B05BB2