
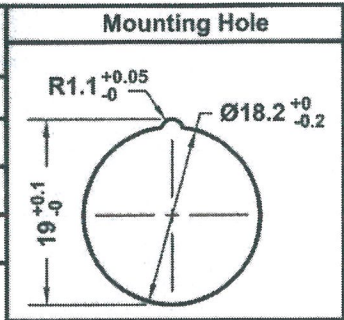


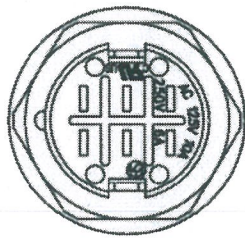
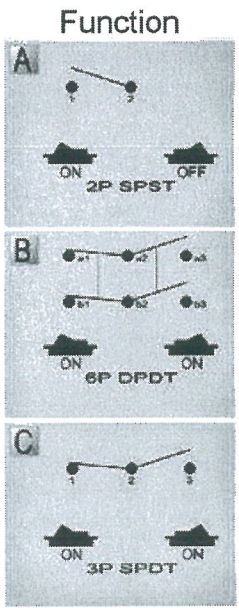
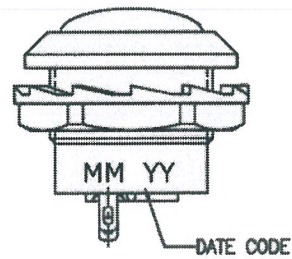
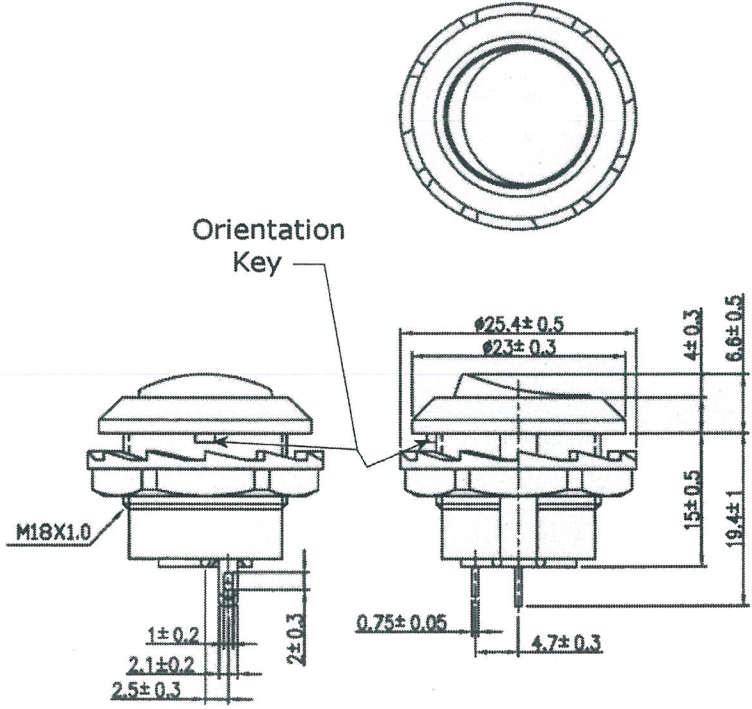
THIS INFORMATION IS CONFIDENTIAL AND PROPRIETARY TO CW INDUSTRIES INCORPORATED AND ITS AFFILIATES. IT MAY NOT BE DISCLOSED TO ANYONE, OTHER THAN CW INDUSTRIES PERSONNEL, WITHOUT WRITTEN AUTHORIZATION FROM CW INDUSTRIES INCORPORATED, SOUTHAMPTON, PENNSYLVANIA USA.

Rating	10A 125V, 6A 250V AC	
Contact Resistance	50m ohm max.	
Insulation Resistance	DC 500V 100M ohm min.	
Dielectric Strength	AC 1500V 1 minute	
Operating Temperature	-25 °C ~ 85 °C	



Cut-Out 6.0 mm thk. max

Phenolic Base.
Actuators are nylon (UL flame: 94V-2).
Terminals are silver plated brass.
Printing: White, Hot Stamp.



Terminal
0 5 10 SO

ORDER CHART					
Series	Function		Rocker Color		
GRB	130	X 05	B	B	
Rocker Style		Terminal Style	Base Color		

MASTER

RoHS Compliant

- 2 Removed logo, I/O marking and added order chart. DW 2/27/23.
- 1 Added Orientation Key to Drawing. 9/15/2011.

CW INDUSTRIES
Southampton, Pa. 18966
Tel 215.355.7080/www.cwind.com

Date Drawn: 2/08/11

Rev. 2

Unit: mm

Checked By: *G. GULD*

Title:
ROCKER SWITCH

CW P/N:
GRB130XSERIES