
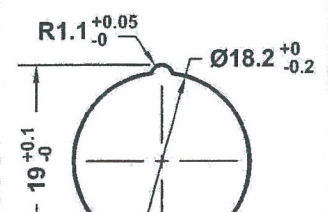

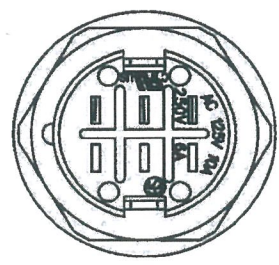
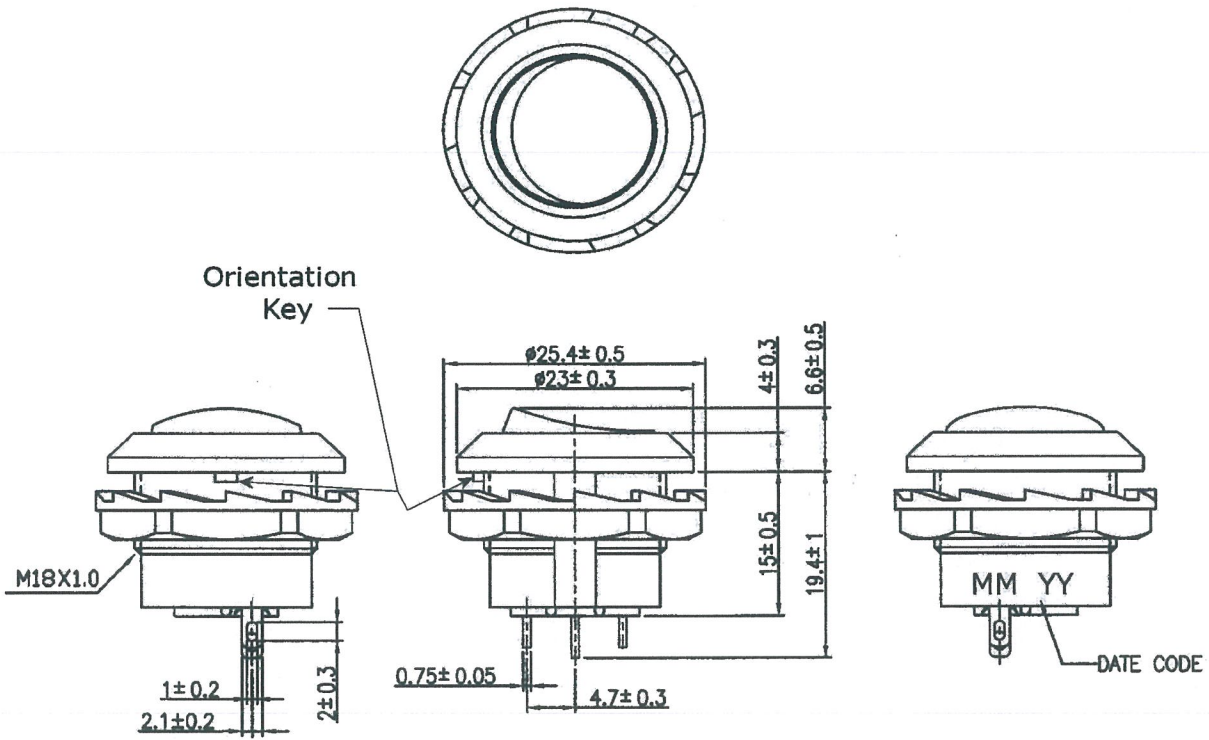


THIS INFORMATION IS CONFIDENTIAL AND PROPRIETARY TO CW INDUSTRIES INCORPORATED AND ITS AFFILIATES. IT MAY NOT BE DISCLOSED TO ANYONE, OTHER THAN CW INDUSTRIES PERSONNEL, WITHOUT WRITTEN AUTHORIZATION FROM CW INDUSTRIES INCORPORATED, SOUTHAMPTON, PENNSYLVANIA USA.


Rating	10A 125V, 6A 250V AC		Mounting Hole 	Circuit Diagram 
Contact Resistance	50m ohm max.			
Insulation Resistance	DC 500V 100M ohm min.			
Dielectric Strength	AC 1500V 1 minute			
Switch Function	3P SPDT ON - ON			

BASE COLOR: PF, Black
 BUTTON COLOR: Nylon #66, Black
 PRINTING: None



ORDER CHART				
Series	Function		Rocker Color	
GRB	130	C 05	B	B
Rocker Style		Terminal Style	Base Color	

MASTER

R13-130C-05-BB		1 Removed logo. DW 2/27/23.		
 CW INDUSTRIES Southampton, Pa. 18966 Tel 215.355.7080/www.cwind.com	Date Drawn: 5/21/19	Rev. 1	Unit: mm	Checked By: <i>G. GULD</i>
	Title: ROCKER SWITCH		CW P/N: GRB130C05BB	