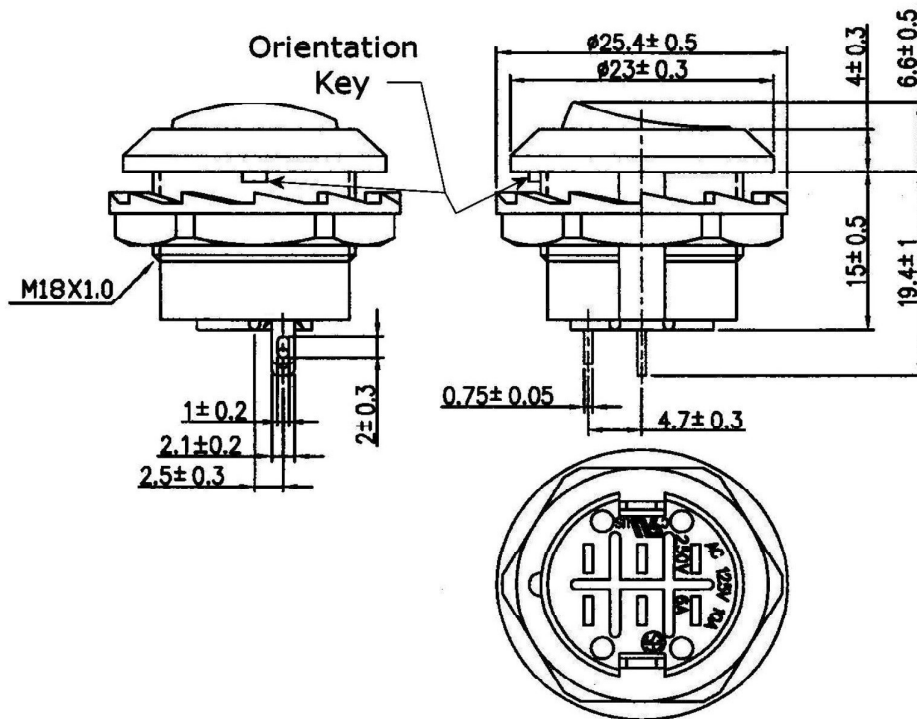


## GRB130 SERIES MINI ROCKER SWITCH



Material: Actuator is Nylon (UL flame: 94V-2).  
 Terminals are Silver plated brass,  
 Base: Phenolic  
 Mounted by Nut

ROCKER	FUNCTION	TERMINAL
	<p><b>A</b></p> <p>2P SPST</p>	<p>0 5  SO</p>
	<p><b>B</b></p> <p>6P DPDT</p>	<p><b>Rating</b>                  10A 125V AC                  6A 250V AC</p> <p><b>Contact resistance</b>                  50mΩ Max</p> <p><b>Insulation resistance</b>                  DC 500V 100MΩ Min</p> <p><b>Dielectric strength</b>                  AC 1500V 1 minute</p>
	<p><b>C</b></p> <p>3P SPDT</p>	<p><b>Cut-out</b></p> <p>6 mm max</p>