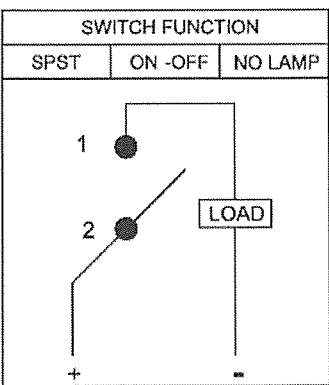


THIS INFORMATION IS CONFIDENTIAL AND PROPRIETARY TO CW INDUSTRIES INCORPORATED AND ITS AFFILIATES. IT MAY NOT BE DISCLOSED TO ANYONE, OTHER THAN CW INDUSTRIES PERSONNEL, WITHOUT WRITTEN AUTHORIZATION FROM CW INDUSTRIES INCORPORATED, SOUTHAMPTON, PENNSYLVANIA USA.



**X**

**Y**

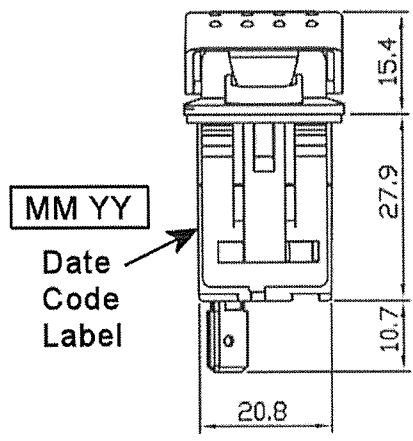
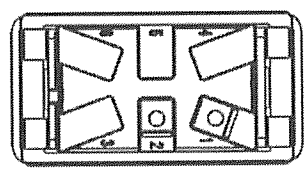
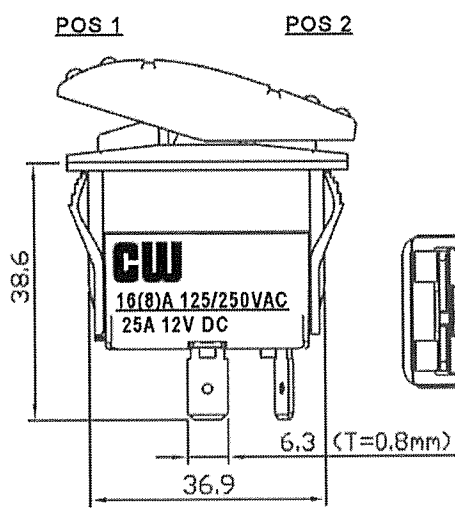
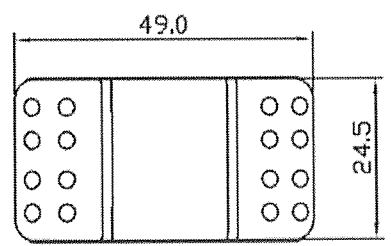
**PANEL CUT - OUT**

	X	Y
1.0~1.5	37.3 <sup>+0.0</sup> <sub>-0.1</sub>	21.2 <sup>+0.1</sup> <sub>-0.0</sub>
2.5~3.0	37.5 <sup>+0.0</sup> <sub>-0.1</sub>	21.2 <sup>+0.1</sup> <sub>-0.0</sub>
3.5~4.5	37.7 <sup>+0.0</sup> <sub>-0.1</sub>	21.2 <sup>+0.1</sup> <sub>-0.0</sub>

**SPECIFICATIONS:**  
 Rating: 16(8)A 125/250VAC  
 25A 12V DC  
 Function: ON - OFF SPST  
 Pos 1 Pos 2

Contact Resistance: 20mΩ max. (initial)  
 Insulation Resistance: 100mΩ min. (at 500V DC)  
 Dielectric Strength: 1,500V AC 50/60 Hz for 1 minute  
 Operating Temp. : -40° C to 85° C  
 Service Life: Mechanically: 100,000 operations min.  
 Electrically: 30,000 operations min.

Water Proof: IP67  
 Base Color: Gray  
 Actuator Color: Black  
 Insulation Materials: 94V-2 Thermoplastic  
 Contact Materials: Copper Alloy



RoHS Compliant

X5 - 114ANN - NABB - 1NNW

**ORDER CHART**

Series	Pole	Actuator	Terminal	Function	None	Base Color	Actuator Color	Actuator No.	Rating
GRB	1	1	4	A	NN	N	A	B	B 1

**CW INDUSTRIES**  
 Southampton, Pa. 18966  
 Tel 215.355.7080/www.cwind.com

Date Drawn: 4/15/14 Rev. 1  
 Title: **ROCKER SWITCH**

Unit: mm  
 Checked By: *G. GULD*  
 CW P/N: **GRB114ANNABB1**

1 Redrawn. Updated views adding panel cutout chart, function chart and order chart. IP 67 was IP68. DW 4/02/18.