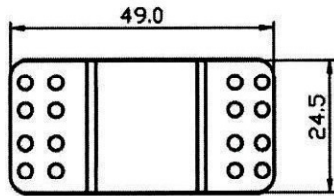
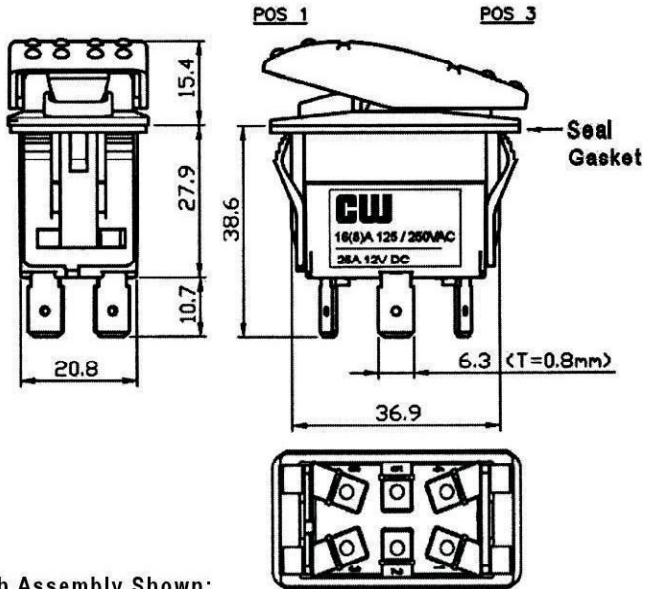


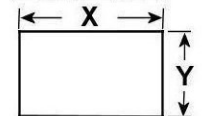
THIS INFORMATION IS CONFIDENTIAL AND PROPRIETARY TO CW INDUSTRIES INCORPORATED AND ITS AFFILIATES. IT MAY NOT BE DISCLOSED TO ANYONE, OTHER THAN CW INDUSTRIES PERSONNEL, WITHOUT WRITTEN AUTHORIZATION FROM CW INDUSTRIES INCORPORATED, SOUTHAMPTON, PENNSYLVANIA USA.



Rating:
16(8) 125/250VAC
25A 12 VDC
Dielectric withstand voltage: 1500VAC for 1 Minute
Insulation resistance: DC 500V 100MΩ (min.)
Contact resistance: 20mΩ Initial (Max.)
IP Rating: IP67



PANEL CUT OUT



Panel Thickness	X	Y
1.0~1.5	37.3 ^{+0.0} _{-0.1}	21.2 ^{+0.1} _{-0.0}
2.5~3.0	37.5 ^{+0.0} _{-0.1}	
3.5~4.5	37.7 ^{+0.0} _{-0.1}	

Switch Assembly Shown:
GRB224ANNABA1

ORDER CHART

GRB X	X	X	X	X	X	X	X	X	X	X
POLE	FUNCTION	TERM. TYPE	ACTUATOR TYPE	MARKING	MARKING COLOR	ILLUMINATED TYPE	BASE COLOR	ACTUATOR COLOR	ELECTRICAL RATING	ACTUATOR STYLE /
1 1 Pole	1 ON-OFF	4 QC .250 (6.3mm)	A Hard PC B Soft TPR C Hard PC	N None Contact Sales If Req.	N None Contact Sales If Req.	N None Contact Sales If Req.	A Gray (Std.) B Black	A Gray B Black (Std.)	A 16(8)A 125/250V 25A 12V DC	1
2 2 Pole	2 ON-ON								B 20(8)A 125/250V ~ T55	
	3 ON-OFF-ON								D 16A (6~30VDC) T55	
	4 (ON)-OFF									
	5 (ON)-ON									
	6 (ON)-OFF-(ON)									
	7 (ON)-OFF-ON									
	8 ON-(OFF)									
	9 ON-ON-ON									

Actuator Type / Style	
Type A Hard PC	1
Type B Soft TPR	1
Type C Hard PC	1

CW INDUSTRIES
 Southampton, Pa. 18966
 Tel 215.355.7080/www.cwind.com

Date Drawn: DW 11/01/21 Rev. 0 Unit: mm Checked By: *G. GULD*
 Title: **ROCKER SWITCH ASSEMBLY** CW P/N: **GRB114 THRU 294 SERIES**