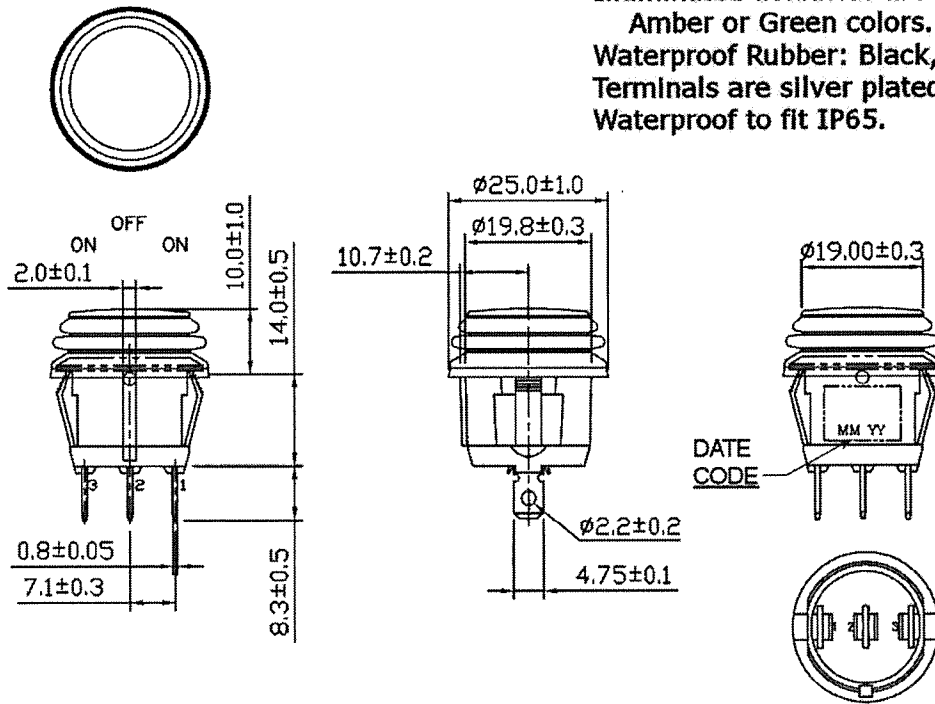


THIS INFORMATION IS CONFIDENTIAL AND PROPRIETARY TO CW INDUSTRIES INCORPORATED AND ITS AFFILIATES. IT MAY NOT BE DISCLOSED TO ANYONE, OTHER THAN CW INDUSTRIES PERSONNEL, WITHOUT WRITTEN AUTHORIZATION FROM CW INDUSTRIES INCORPORATED, SOUTHAMPTON, PENNSYLVANIA USA.

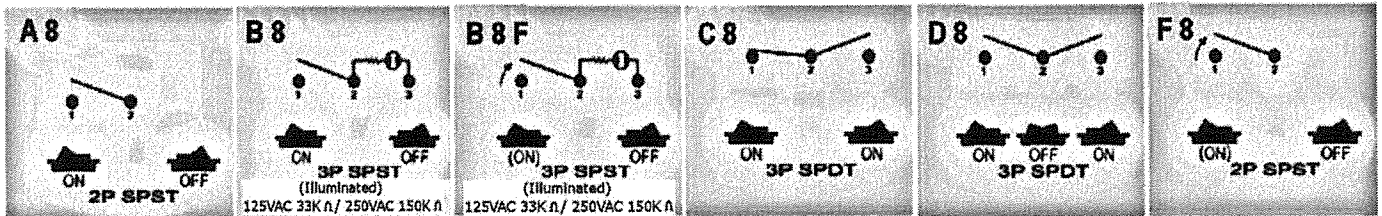
<b>Rating</b>	16A 125VAC, 10A 250VAC (A8, B8, C8)	<b>Mounting Hole</b>
	16A 125VAC, 10A 250VAC (B8F, D8, F8)	
	20A 14VDC 10A 28VDC, 6A 14VT	
<b>Contact Resistance</b>	50m ohm Max.	
<b>Insulation Resistance</b>	DC 500V 100M ohm Min.	
<b>Dielectric Strength</b>	AC 1500V 1 minute	
<b>Operation Temp.</b>	-20°C ~ 85°C	
<b>Switch Function</b>	SEE CHART	

Frames are nylon (UL flame: 94V-2).  
 Actuators are Black, PC (94V-2).  
 Illuminated actuators are molded in PC, available in Red, Amber or Green colors.  
 Waterproof Rubber: Black, Silicone.  
 Terminals are silver plated brass.  
 Waterproof to fit IP65.



X = Function

TERMINAL  
0.2 T .187" SQ



( ) = Momentary Function

MADE IN CHINA

RoHS Compliant

1 Removed CW logo & added order chart. DW 11/17/22.

**CW INDUSTRIES**  
 Southampton, Pa. 18966  
 Tel 215.355.7080/www.cwind.com

Date Drawn: 2/01/11

Rev. 1

Unit: mm

Checked By: *G. GULD*

Title:

**ROCKER SWITCH**

CW P/N:

**GRB112X8SERIES**