

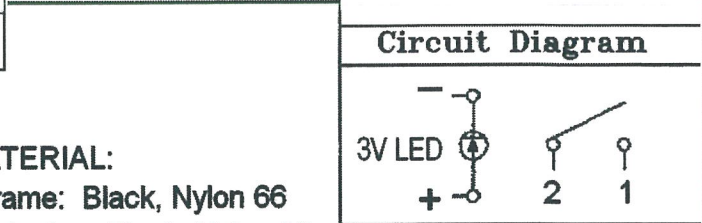
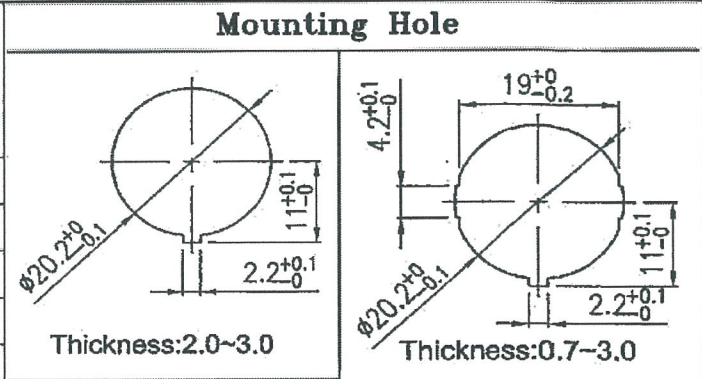
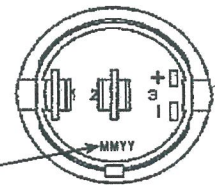
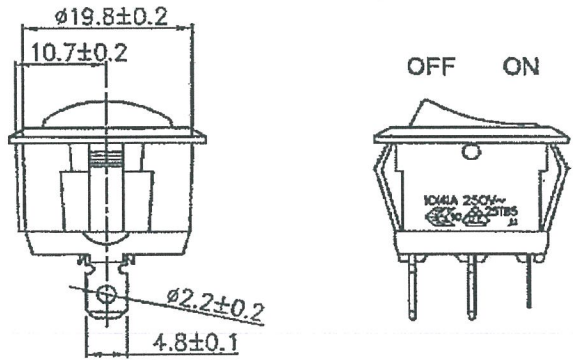
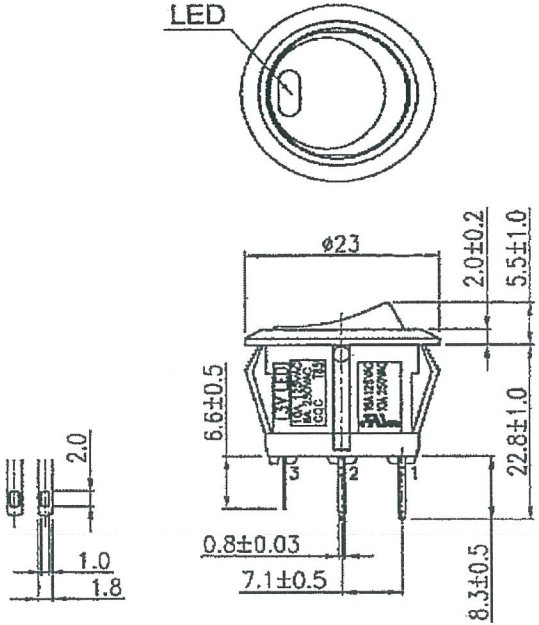


THIS INFORMATION IS CONFIDENTIAL AND PROPRIETARY TO CW INDUSTRIES INCORPORATED AND ITS AFFILIATES. IT MAY NOT BE DISCLOSED TO ANYONE, OTHER THAN CW INDUSTRIES PERSONNEL, WITHOUT WRITTEN AUTHORIZATION FROM CW INDUSTRIES INCORPORATED, SOUTHAMPTON, PENNSYLVANIA USA.

<b>Rating</b>	10A 125VAC 6A 250VAC CQC T85
	16A 125VAC 10A 250VAC 
	10(4)A 250V ~  25T85 
<b>Contact Resistance</b>	50m ohm Max.
<b>Insulation Resistance</b>	DC 500V 100M ohm Min.
<b>Dielectric Strength</b>	AC 1500V 1 minute
<b>Operation Temp.</b>	-25° C ~ 85° C
<b>Switch Function</b>	SPST ON-OFF (LED Independent)
<b>Lamp Type</b>	Red, LED 3 Volts



**MATERIAL:**  
 Frame: Black, Nylon 66  
 Actuator: Black, Nylon 66  
 Lens: Clear, PC  
 LED: Color, RED




**Order Chart**

Series	Function w/LED	Frame Color	Lens Color	Voltage
GRB112	L 02	B B	C R	3
	Terminal Style	Actuator Color	Lamp Color	

**Date Code**  
 MMY

Tolerances Unless Otherwise Specified ±0.3

MASTER

R13-112L-02	1   Removed CW logo. DW 11/18/22.			
 <b>INDUSTRIES</b> Southampton, Pa. 18966 Tel 215.355.7080/www.cwind.com	Date Drawn: 7/18/17	Rev. 1	Unit: mm	Checked By: <i>G. GOLD</i>
	Title: <b>ROCKER SWITCH</b>		CW P/N: <b>GRB112L02BBCR3</b>	