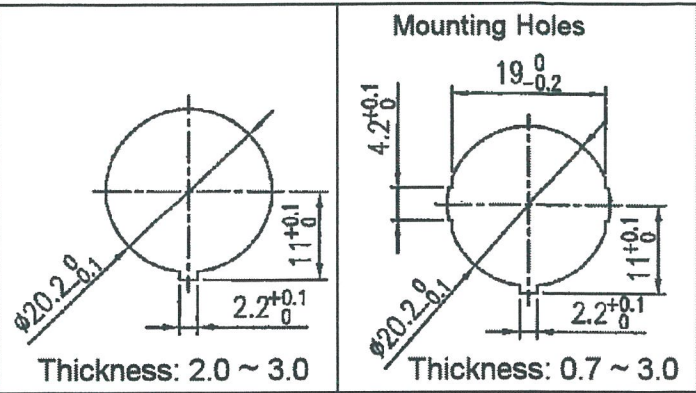
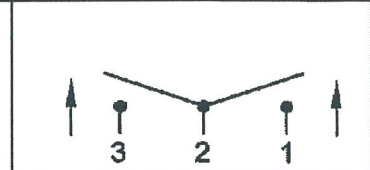
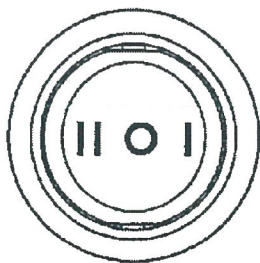


THIS INFORMATION IS CONFIDENTIAL AND PROPRIETARY TO CW INDUSTRIES INCORPORATED AND ITS AFFILIATES. IT MAY NOT BE DISCLOSED TO ANYONE, OTHER THAN CW INDUSTRIES PERSONNEL, WITHOUT WRITTEN AUTHORIZATION FROM CW INDUSTRIES INCORPORATED, SOUTHAMPTON, PENNSYLVANIA USA.

Ratings	16A 125VAC 10A 250VAC	
	10(4)A 125/250VAC T85	
	20A 14VDC 10A 28VDC	
	10(4)A 250V ~	
	10A 125VAC 6A 250VAC CQC T85	
Contact Resistance	50m ohm Max.	
Insulation Resistance	DC 500V 100M ohm Min.	
Dielectric Strength	AC 1500V 1 minute	
Operation Temperature	- 25 °C ~ 85 °C	
Switch Function	3P SPDT (ON)-OFF-(ON)	

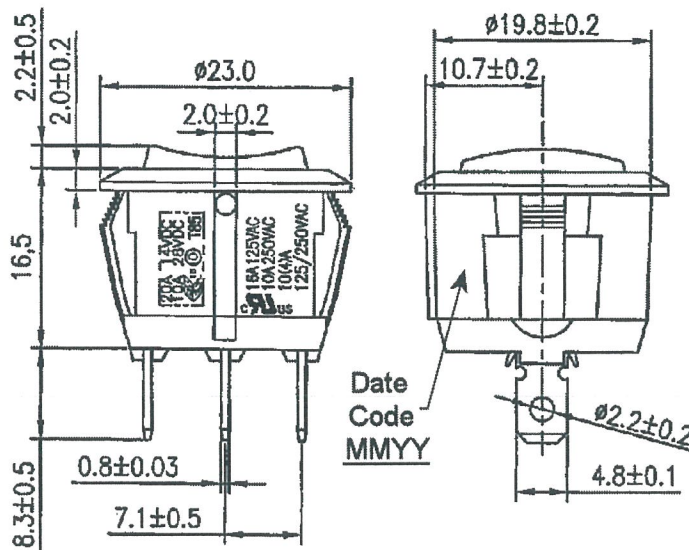


() = Momentary

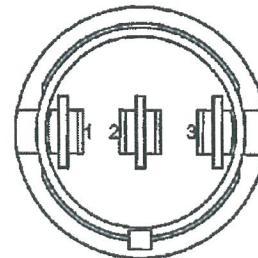
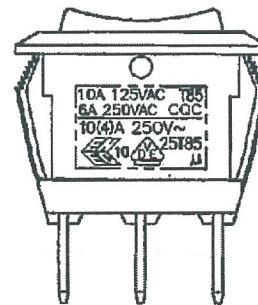


MATERIAL:

Frame: Nylon #66, Black
 Actuator: Nylon #66, Black
 Printing: White, Hot Stamping



(ON) OFF (ON)



Tolerance is +/- 0.3 Unless otherwise Specified.

ORDER CHART					
Series	Terminal Type	Printing	Function	Frame Color	Actuator Color
GRB112	I 02	B B 76			

MASTER

R13-112I-02-BB-76

1 | Removed CW logo. DW 11/18/22

CW INDUSTRIES
 Southampton, Pa. 18966
 Tel 215.355.7080/www.cwind.com

Date Drawn: 9/25/18

Rev. 1

Unit: mm

Checked By: *G. GULD*

Title: **ROCKER SWITCH**

CW P/N: **GRB112I02BB76**