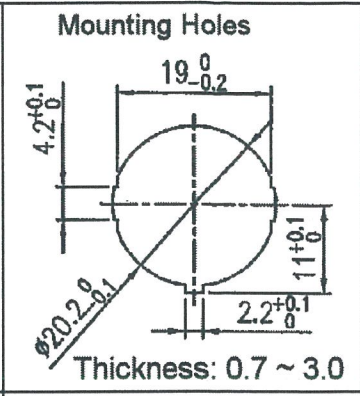
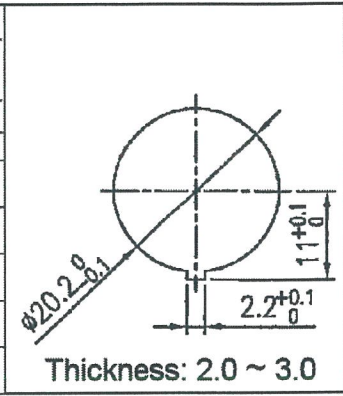
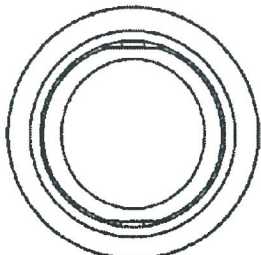
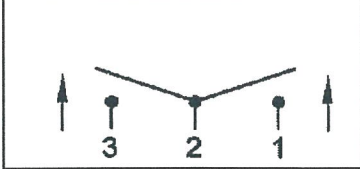


THIS INFORMATION IS CONFIDENTIAL AND PROPRIETARY TO CW INDUSTRIES INCORPORATED AND ITS AFFILIATES. IT MAY NOT BE DISCLOSED TO ANYONE, OTHER THAN CW INDUSTRIES PERSONNEL, WITHOUT WRITTEN AUTHORIZATION FROM CW INDUSTRIES INCORPORATED, SOUTHAMPTON, PENNSYLVANIA USA.

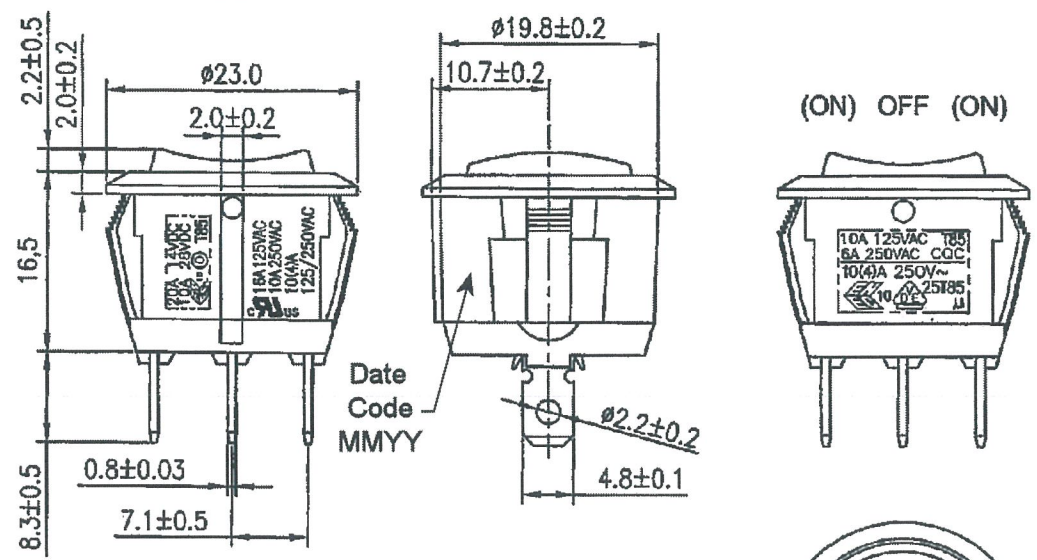
Ratings	16A 125VAC 10A 250VAC	
	10(4)A 125/250VAC T85	
	20A 14VDC 10A 28VDC	
	10(4)A 250V ~	25T85
	10A 125VAC 6A 250VAC	CQC T85
Contact Resistance	50m ohm Max.	
Insulation Resistance	DC 500V 100M ohm Min.	
Dielectric Strength	AC 1500V 1 minute	
Operation Temperature	- 25 °C ~ 85 °C	
Switch Function	3P SPDT (ON)-OFF-(ON)	



( ) = Momentary



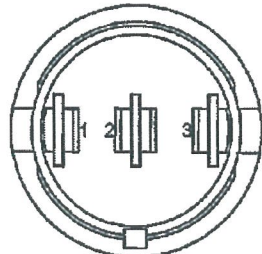
**MATERIAL:**  
 Frame: Nylon #66, Black  
 Actuator: Nylon #66, Black  
 Printing: None



Tolerance is +/- 0.3 Unless otherwise Specified.

**ORDER CHART**

Series	Terminal Type
GRB112 I 02 B B	
Function	Frame Color Actuator Color



**MASTER**

R13-112I-02-BB

1 Removed CW logo. DW 11/18/22.

**CW INDUSTRIES**  
 Southampton, Pa. 18966  
 Tel 215.355.7080/www.cwind.com

Date Drawn: 9/25/18

Rev. 1

Unit: mm

Checked By: *G. GOLD*

Title: **ROCKER SWITCH**

CW P/N: **GRB112I02BB**