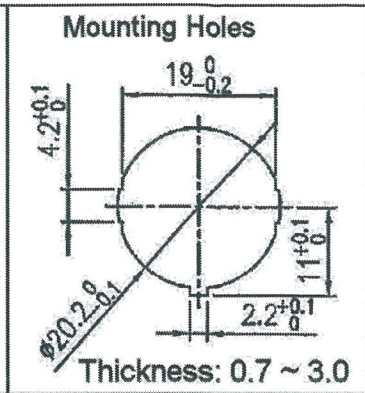
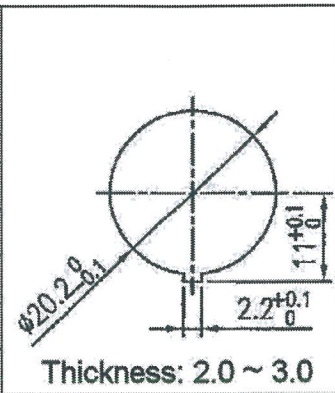


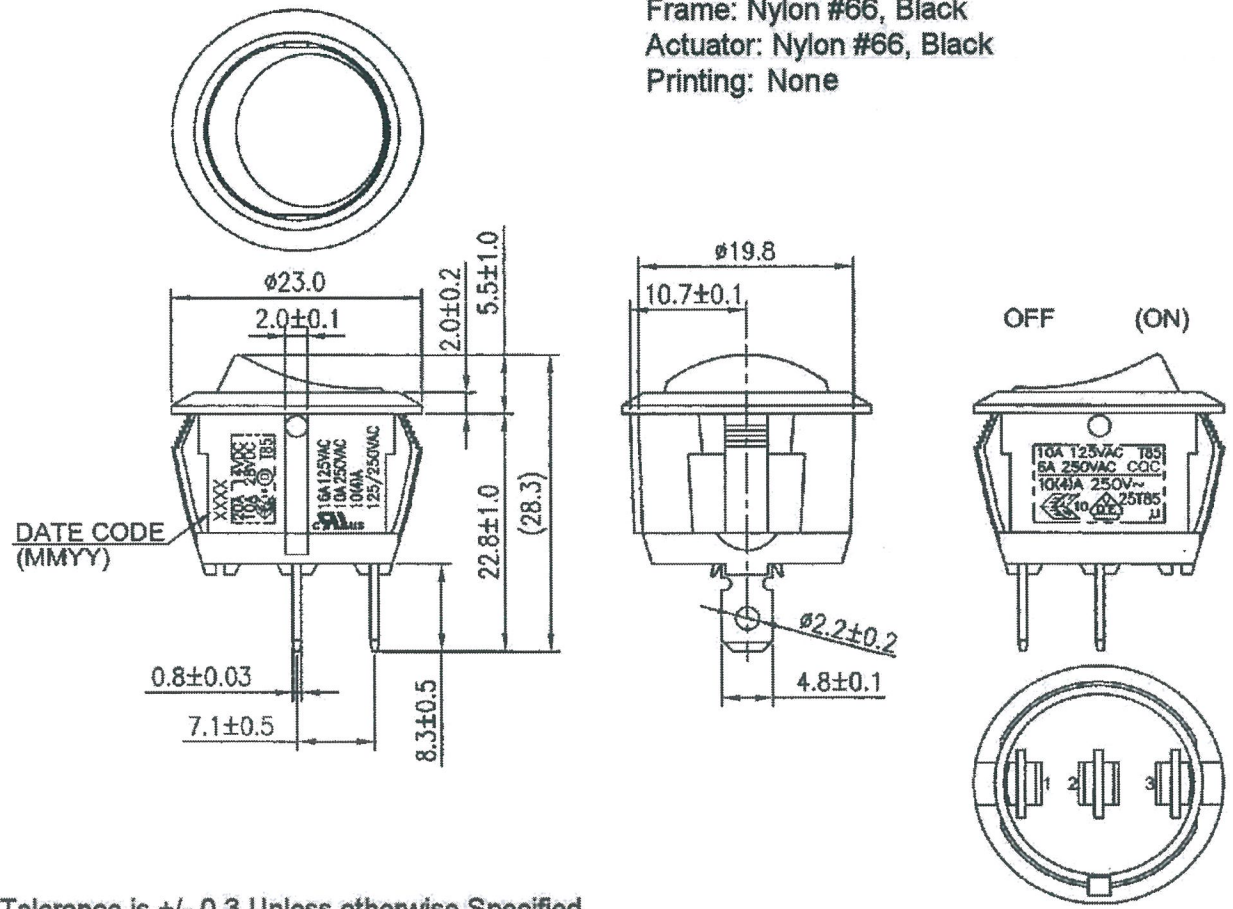
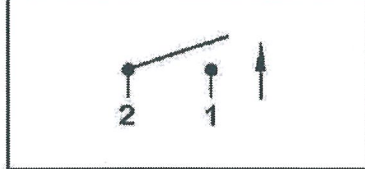
THIS INFORMATION IS CONFIDENTIAL AND PROPRIETARY TO CW INDUSTRIES INCORPORATED AND ITS AFFILIATES. IT MAY NOT BE DISCLOSED TO ANYONE, OTHER THAN CW INDUSTRIES PERSONNEL, WITHOUT WRITTEN AUTHORIZATION FROM CW INDUSTRIES INCORPORATED, SOUTHAMPTON, PENNSYLVANIA USA.

Ratings	16A 125VAC 10A 250VAC	
	10(4)A 125/250VAC	T85
	20A 14VDC 10A 28VDC	
	10(4)A 250V ~	25T85
	10A 125VAC 6A 250VAC	CQC T85
Contact Resistance	50m ohm Max.	
Insulation Resistance	DC 500V 100M ohm Min.	
Dielectric Strength	AC 1500V 1 minute	
Operation Temperature	- 25 °C ~ 85 °C	
Switch Function	3P SPDT (ON)-OFF-(ON)	



() = Momentary

MATERIAL:
 Frame: Nylon #66, Black
 Actuator: Nylon #66, Black
 Printing: None



Tolerance is +/- 0.3 Unless otherwise Specified.

ORDER CHART			
Series	Terminal Type	Function	Frame Color Actuator Color
GRB112	F02	B	B

MASTER

R15-112F-02	Date Drawn: 11/06/19	Rev. 1	Unit: mm	Checked By: <i>G. GULD</i>
CW INDUSTRIES Southampton, Pa. 18966 Tel 215.355.7080/www.cwind.com	Title: ROCKER SWITCH	CW P/N: GRB112F02BB		

1 | Removed CW logo. DW 11/17/22