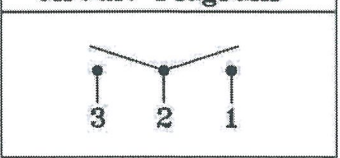
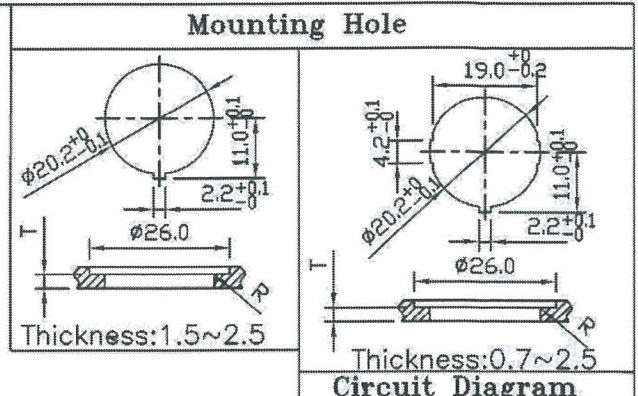


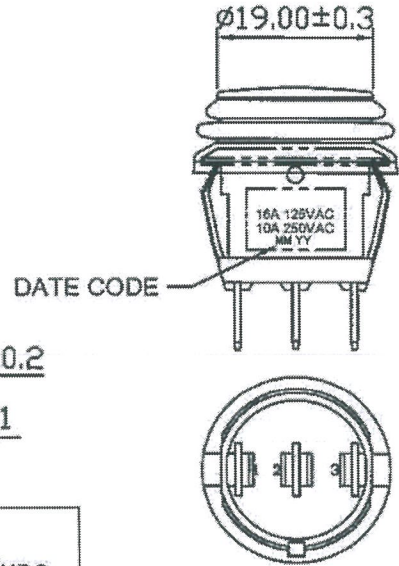
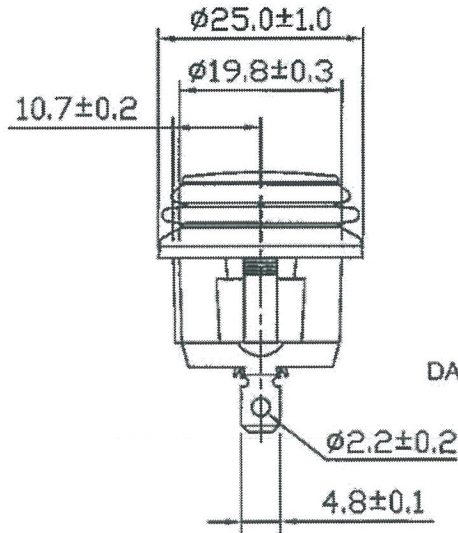
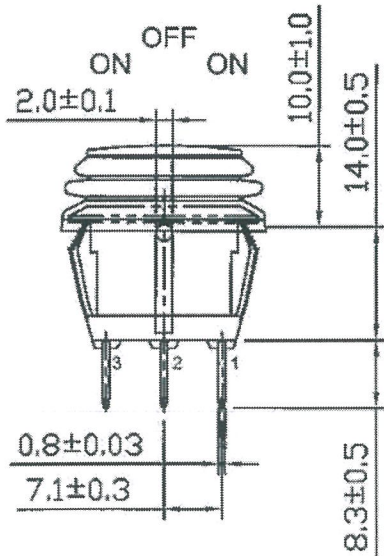
THIS INFORMATION IS CONFIDENTIAL AND PROPRIETARY TO CW INDUSTRIES INCORPORATED AND ITS AFFILIATES. IT MAY NOT BE DISCLOSED TO ANYONE, OTHER THAN CW INDUSTRIES PERSONNEL, WITHOUT WRITTEN AUTHORIZATION FROM CW INDUSTRIES INCORPORATED, SOUTHAMPTON, PENNSYLVANIA USA.

Rating	16A 125VAC, 10A 250VAC
Contact Resistance	50m ohm Max.
Insulation Resistance	DC 500V 100M ohm Min.
Dielectric Strength	AC 1500V 1 minute
Operation Temp.	- 20°C ~ 85°C
Switch Function	3P SPDT ON - OFF - ON



MATERIAL:

- Frame: Black, Nylon 66 (94-V2)
- Actuator: Red, PC (94-V2)
- Waterproof Rubber: Black, Silicone
- Terminals: Silver plated, Copper alloy
- Hot Stamping: None
- Waterproof: IP65



Order Chart

Series	Terminal Type		
GRB112	D8	02	B R
Function	Frame Color	Actuator Color	

MASTER

RoHS Compliant

R13-112D8-02

1 | Removed CW logo & added chart. DW11/17/22

CW INDUSTRIES
Southampton, Pa. 18966
Tel 215.355.7080/www.cwind.com

Date Drawn: 6/11/14

Rev. 1

Unit: mm

Checked By: *G. GULD*

Title: **ROCKER SWITCH**

CW P/N: **GRB112D802BR**