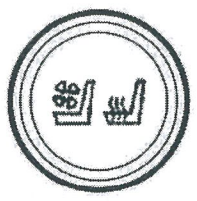
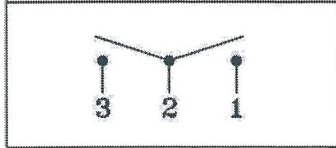
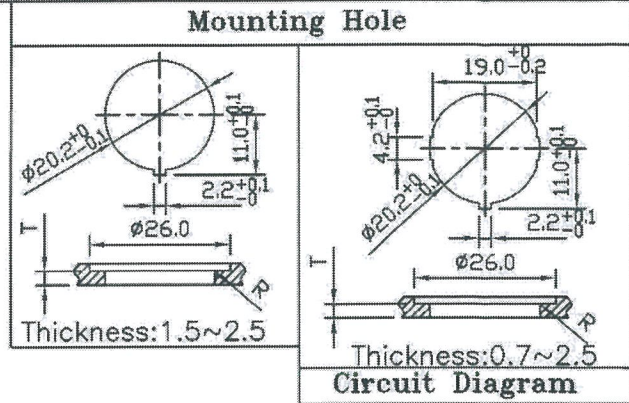
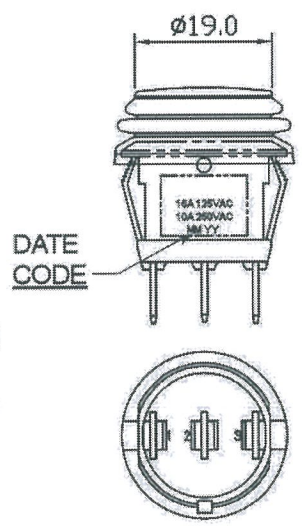
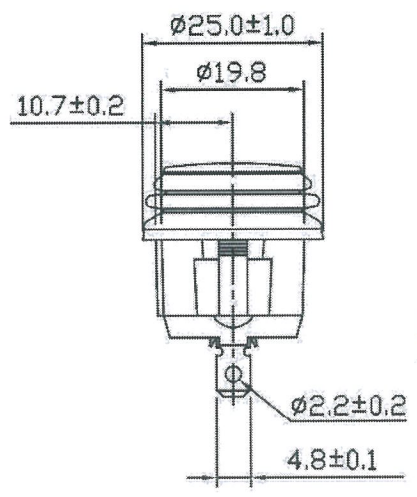
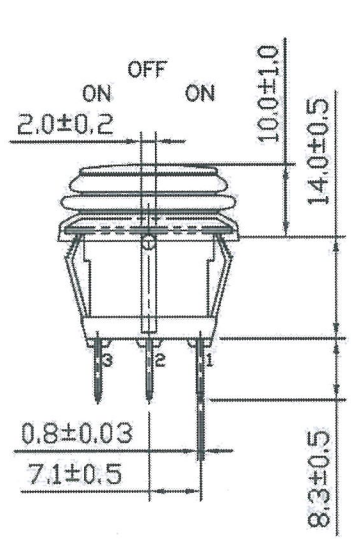


THIS INFORMATION IS CONFIDENTIAL AND PROPRIETARY TO CW INDUSTRIES INCORPORATED AND ITS AFFILIATES. IT MAY NOT BE DISCLOSED TO ANYONE, OTHER THAN CW INDUSTRIES PERSONNEL, WITHOUT WRITTEN AUTHORIZATION FROM CW INDUSTRIES INCORPORATED, SOUTHAMPTON, PENNSYLVANIA USA.

Rating	16A 125VAC 10A 250VAC
Contact Resistance	50m ohm Max.
Insulation Resistance	DC 500V 100M ohm Min.
Dielectric Strength	AC 1500V 1 minute
Operation Temp.	- 20°C ~ 85°C
Switch Function	3P SPDT ON - OFF - ON



MATERIAL:
 Frame: Black, Nylon #66
 Actuator: Black, PC
 Waterproof rubber: Black, Silicone
 Printing: White, Hot stamping
 Waterproof: IP 65



Order Chart

Series	Terminal Type	Printing
GRB112	D8 02 B B 84	
Function		Actuator Color
Frame Color		

Tolerances +/- 0.3 Unless otherwise specified.

MASTER

R13-112D8-02	1	Removed CW logo. DW 11/17/22		
CW INDUSTRIES Southampton, Pa. 18966 Tel 215.355.7080/www.cwind.com	Date Drawn: 3/08/19	Rev. 1	Unit: mm	Checked By: <i>G. GULD</i>
	Title: ROCKER SWITCH		CW P/N: GRB112D802BB84	