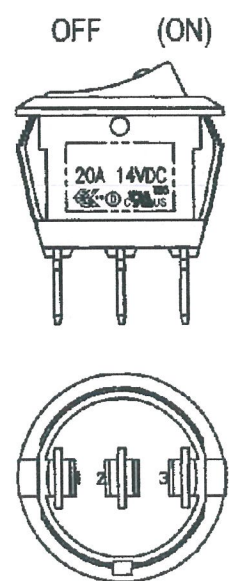
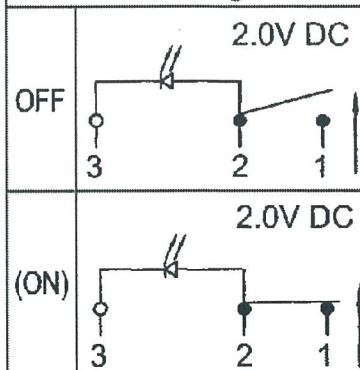
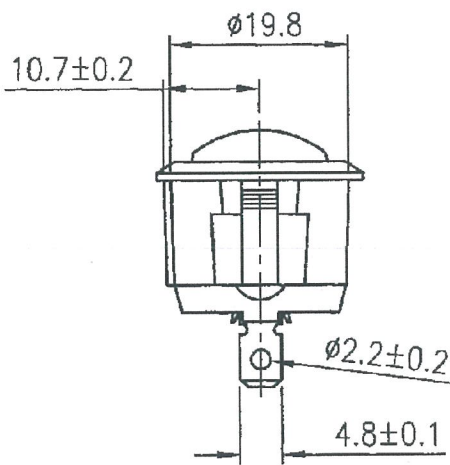
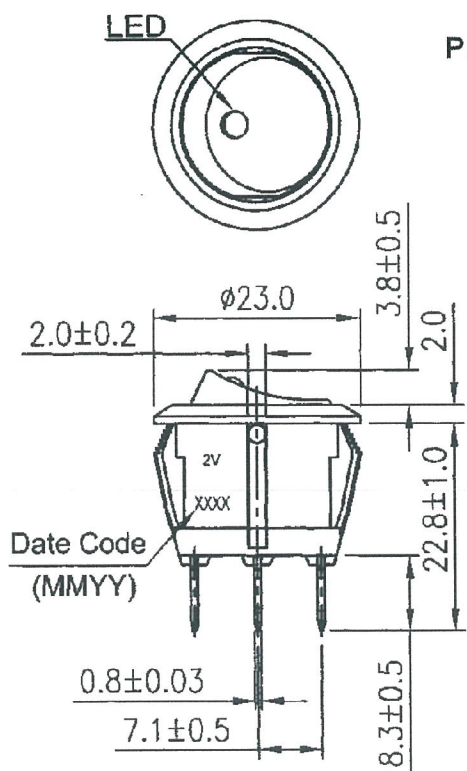


THIS INFORMATION IS CONFIDENTIAL AND PROPRIETARY TO CW INDUSTRIES INCORPORATED AND ITS AFFILIATES. IT MAY NOT BE DISCLOSED TO ANYONE, OTHER THAN CW INDUSTRIES PERSONNEL, WITHOUT WRITTEN AUTHORIZATION FROM CW INDUSTRIES INCORPORATED, SOUTHAMPTON, PENNSYLVANIA USA.

Rating	2V DC	Mounting Hole	
Contact Resistance	50m ohm Max.		
Insulation Resistance	DC 500V 100M ohm Min.	Thickness: 2.0~3.0	
Dielectric Strength	AC 1500V 1 minute	() = Momentary	
Operation Temp.	-25° C ~ 85° C		
Switch Function	3P SPST (ON)-OFF	Circuit Diagram	
Lamp Type	2V DC LED - Dependent Color- Green - No Resistor		

MATERIAL:
 Frame: Nylon 66, Color- BLACK
 Actuator: Nylon 66, Color- BLACK
 LED: GREEN
 Terminals: Silver plated,
 Copper alloy
 Printing: None



Series		ORDER CHART					Lamp Type
GRB112	B9F	02	B	B	G	G	L
Function		Terminal Type	LED Color		Lens Color		Frame Color
Actuator Color							

Tolerances Unless Otherwise Specified ±0.3

MASTER

R13-112B9F-02-BBGGL	1 Removed CW Logo. DW 11/17/22.			
CW INDUSTRIES Southampton, Pa. 18966 Tel 215.355.7080/www.cwind.com	Date Drawn: 10/10/19	Rev. 1	Unit: mm	Checked By: <i>G. GULD</i>
	Title: ROCKER SWITCH		CW P/N: GRB112B9F02BBGGL	