
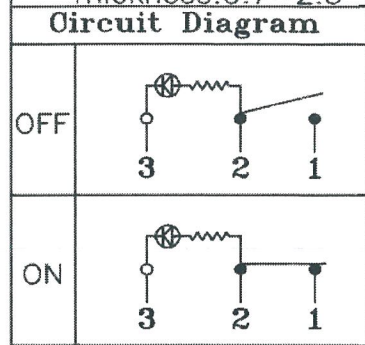
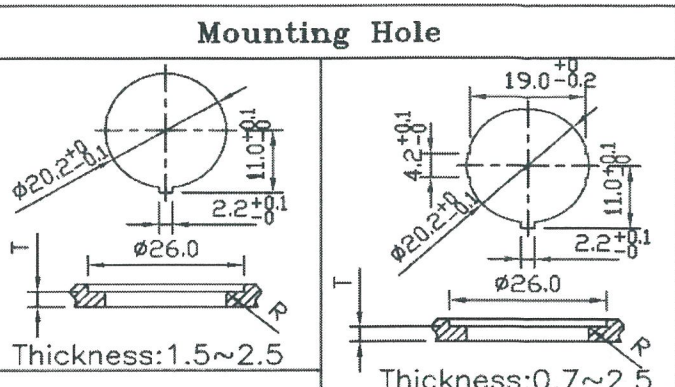
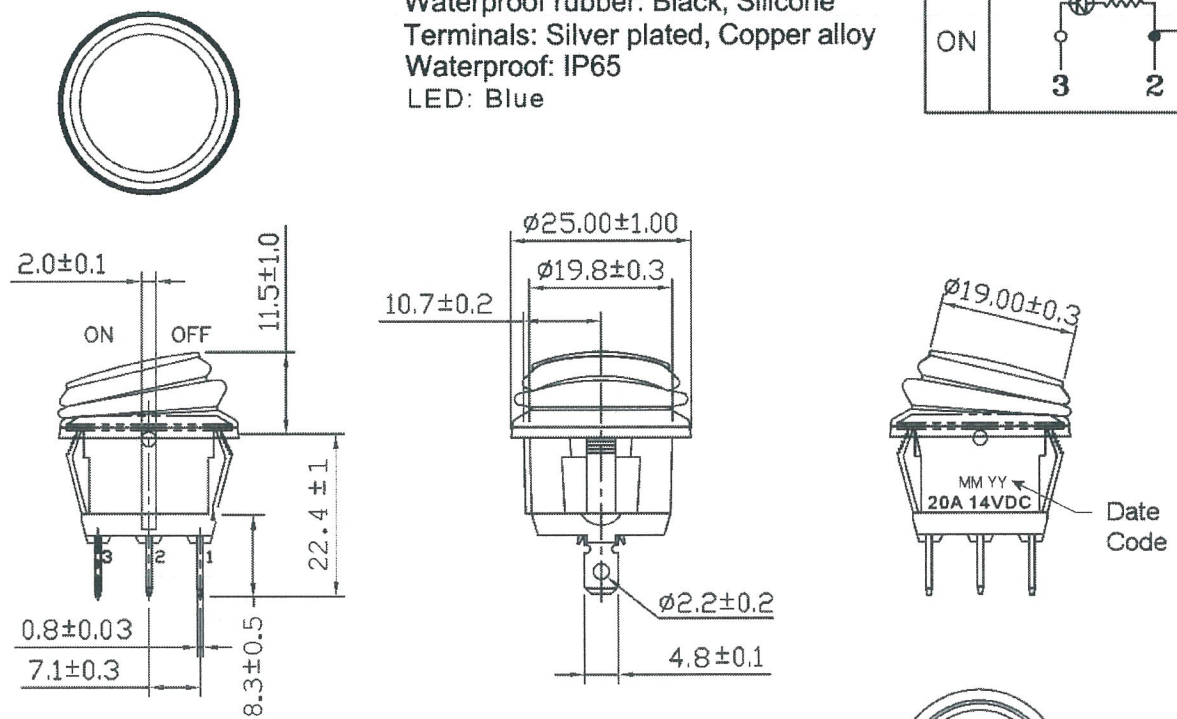


THIS INFORMATION IS CONFIDENTIAL AND PROPRIETARY TO CW INDUSTRIES INCORPORATED AND ITS AFFILIATES. IT MAY NOT BE DISCLOSED TO ANYONE, OTHER THAN CW INDUSTRIES PERSONNEL, WITHOUT WRITTEN AUTHORIZATION FROM CW INDUSTRIES INCORPORATED, SOUTHAMPTON, PENNSYLVANIA USA.

Rating	16A 125VAC, 10A 250VAC 
	20A 14VDC
Configured For	12VDC 14V
Contact Resistance	50m ohm Max.
Insulation Resistance	DC 500V 100M ohm Min.
Dielectric Strength	AC 1500V 1 minute
Operation Temp.	- 20°C ~ 85°C
Switch Function	3P SPST ON-OFF Lamp Dependent
Lamp Type	LED 12VDC 14V w/resistor

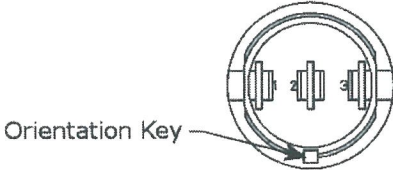


**MATERIAL:**  
 Frame: Black, Nylon 66 (94V-2)  
 Actuator: Blue, PC  
 Waterproof rubber: Black, Silicone  
 Terminals: Silver plated, Copper alloy  
 Waterproof: IP65  
 LED: Blue



Order Chart	
Series	Terminal Type
GRB112	A8 02 B U 1
Function	Actuator
Frame Color	Color

Voltage



Tolerances Unless Otherwise Specified +/-0.3.

RoHS Compliant

MASTER

R13-112B8-02-BUU-L1

1 | Removed CW logo & added Order chart. DW 11/17/22.

**CW INDUSTRIES**  
 Southampton, Pa. 18966  
 Tel 215.355.7080/www.cwind.com

Date Drawn: 4/21/16

Rev. 1

Unit: mm

Checked By: *G. GULD*

Title: **ROCKER SWITCH**

CW P/N: **GRB112B802BU1**