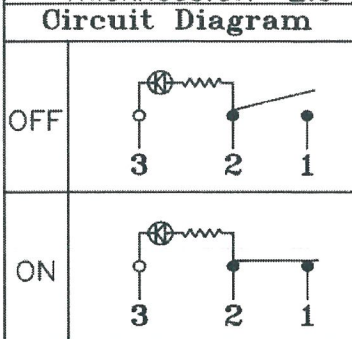
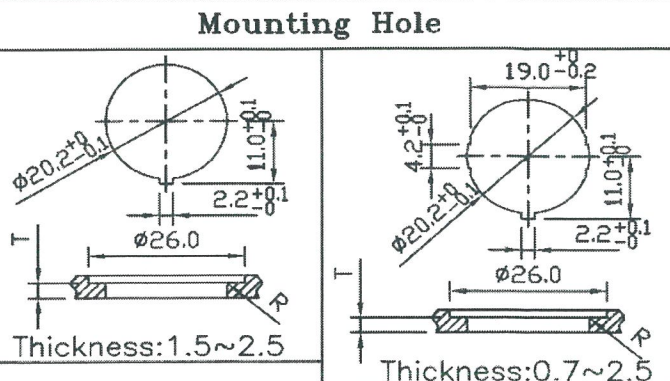
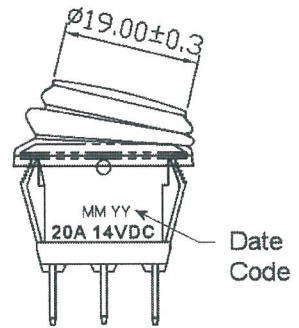
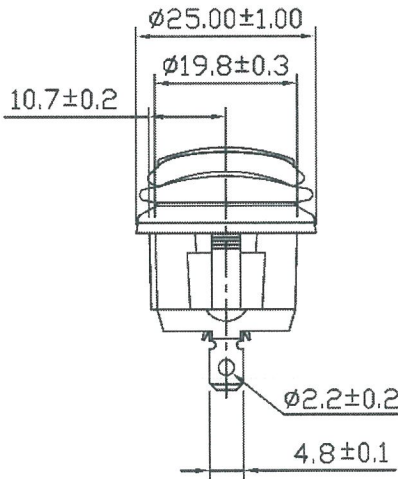
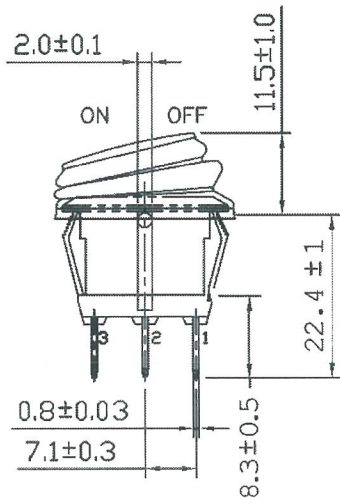
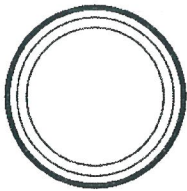


THIS INFORMATION IS CONFIDENTIAL AND PROPRIETARY TO CW INDUSTRIES INCORPORATED AND ITS AFFILIATES. IT MAY NOT BE DISCLOSED TO ANYONE, OTHER THAN CW INDUSTRIES PERSONNEL, WITHOUT WRITTEN AUTHORIZATION FROM CW INDUSTRIES INCORPORATED, SOUTHAMPTON, PENNSYLVANIA U.S.A.

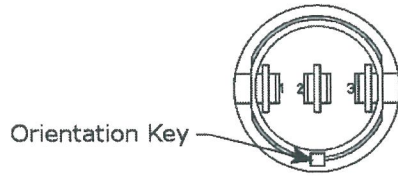
Rating	16A 125VAC, 10A 250VAC 
	20A 14VDC
Configured For	12VDC 14V
Contact Resistance	50m ohm Max.
Insulation Resistance	DC 500V 100M ohm Min.
Dielectric Strength	AC 1500V 1 minute
Operation Temp.	- 20°C ~ 85°C
Switch Function	3P SPST ON-OFF Lamp Dependent
Lamp Type	LED 12VDC 14V w/resistor



MATERIAL:
 Frame: Black, Nylon 66 (94V-2)
 Actuator: Red, PC (94V-2)
 Waterproof rubber: Black, Silicone
 Terminals: Silver plated, Copper alloy
 Waterproof: IP65
 LED: Red



Order Chart	
Series	Terminal Type
GRB112	A8 02 B R 1
Function	Actuator Color
Frame Color	Voltage



Tolerances Unless Otherwise Specified +/-0.3.

RoHS Compliant

MASTER

R13-112B8-02-BRR-L1

3 Removed Cw Logo & added chart. DW 11/17/22.
 2 Updated ratings and dempensions. 3-5-2013.

CW INDUSTRIES
 Southampton, Pa. 18966
 Tel 215.355.7080/www.cwind.com

Date Drawn: 12/25/08

Rev. 3

Unit: mm

Checked By: *G. GULD*

Title: **ROCKER SWITCH**

CW P/N: **GRB112B802BR1**