
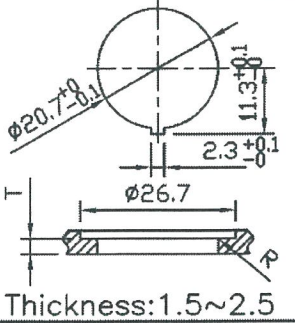
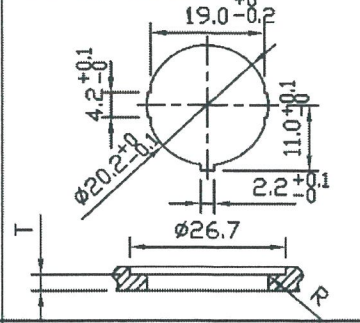
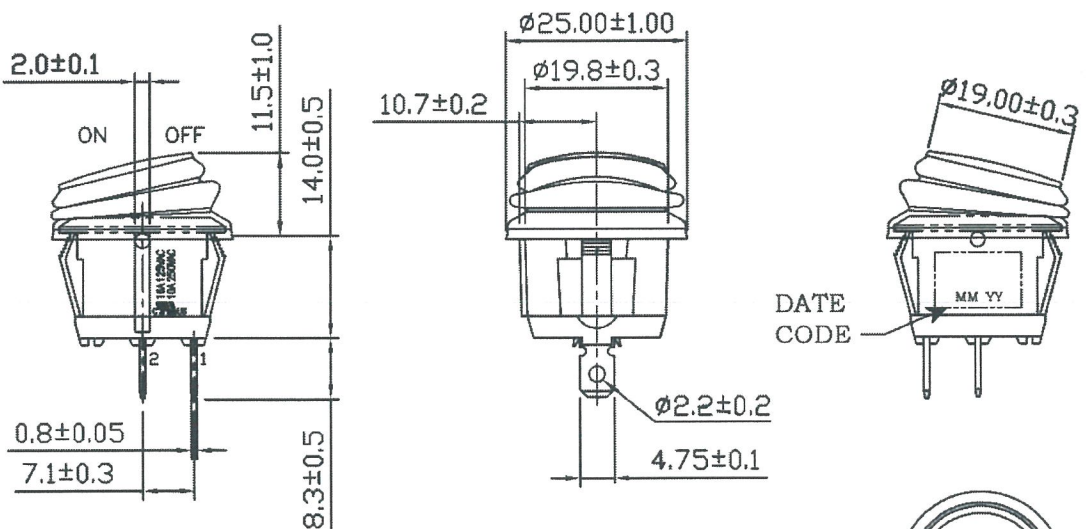
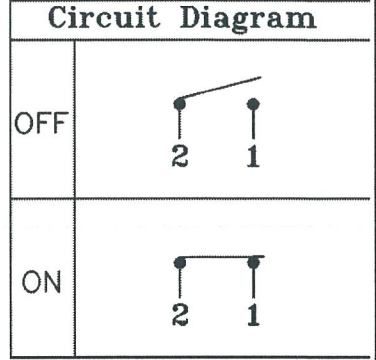


THIS INFORMATION IS CONFIDENTIAL AND PROPRIETARY TO CW INDUSTRIES INCORPORATED AND ITS AFFILIATES. IT MAY NOT BE DISCLOSED TO ANYONE, OTHER THAN CW INDUSTRIES PERSONNEL, WITHOUT WRITTEN AUTHORIZATION FROM CW INDUSTRIES INCORPORATED, SOUTHAMPTON, PENNSYLVANIA USA.

Rating	16A 125VAC, 10A 250VAC 		
	20A 14VDC 10A 28VDC, 6A 14VT		
Contact Resistance	50m ohm Max.		
Insulation Resistance	DC 500V 100M ohm Min.		
Dielectric Strength	AC 1500V 1 minute		
Operation Temp.	-20°C ~ 85°C		
Switch Function	2P SPST ON-OFF		

MATERIAL:


Frame: Black, Nylon 66 (94-V2)
 Actuator: Black, PC (94-V2)
 Waterproof Rubber: Black Silicone
 Terminals: Silver plated, Copper alloy
 Printing: White
 Waterproof: IP65



Order Chart	
Series	Terminal Type
GRB112 A8 02 B B 79	Printing
Function	Actuator Color
Frame Color	



MASTER

RoHS Compliant	R13-112A8-02	1 Removed CW logo & added Order Chart. DW 11/17/22.		
 CW INDUSTRIES Southampton, Pa. 18966 Tel 215.355.7080/www.cwind.com	Date Drawn: 9-24-14	Rev. 1	Unit: mm	Checked By: <i>G. GOLD</i>
	Title: ROCKER SWITCH	CW P/N: GRB112A802BB79		