
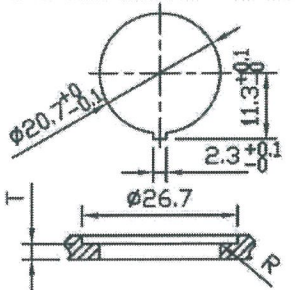
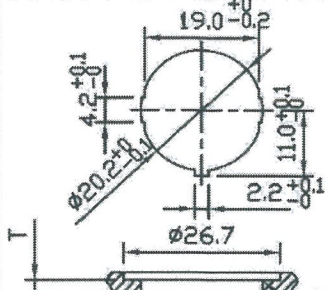
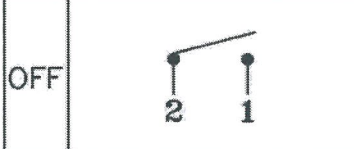

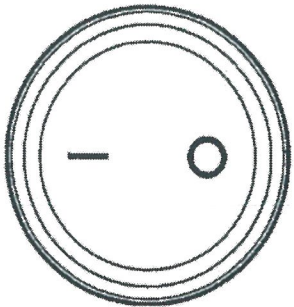


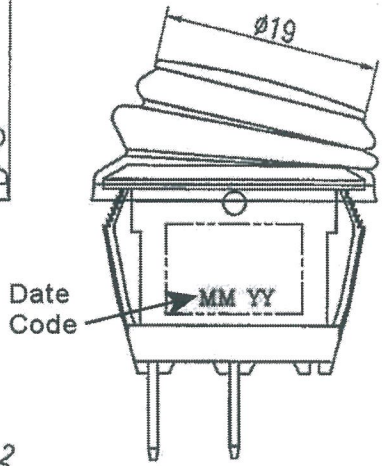
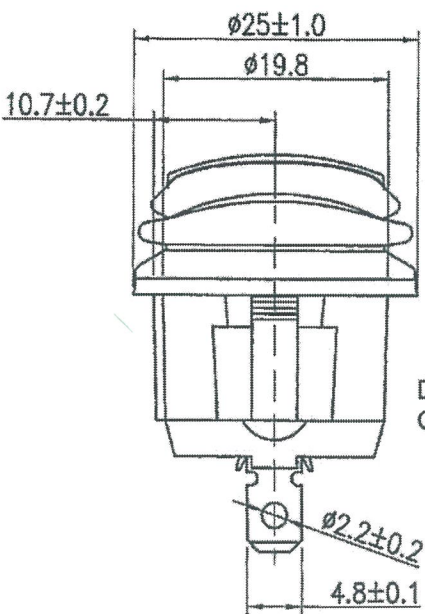
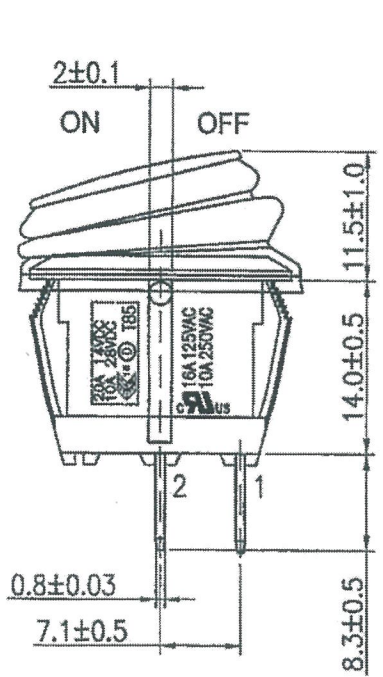
THIS INFORMATION IS CONFIDENTIAL AND PROPRIETARY TO CW INDUSTRIES INCORPORATED AND ITS AFFILIATES. IT MAY NOT BE DISCLOSED TO ANYONE, OTHER THAN CW INDUSTRIES PERSONNEL, WITHOUT WRITTEN AUTHORIZATION FROM CW INDUSTRIES INCORPORATED, SOUTHAMPTON, PENNSYLVANIA USA.

Rating	16A 125VAC, 10A 250VAC		Mounting Hole	
	20A 14VDC 10A 28VDC, 6A 14VT			
Contact Resistance	50m ohm Max.		Thickness: 1.5~2.5	
Insulation Resistance	DC 500V 100M ohm Min.		Thickness: 0.7 ~ 2.5	
Dielectric Strength	AC 1500V 1 minute		<b>Circuit Diagram</b>	
Operation Temp.	-20°C ~ 85°C		OFF	
Switch Function	2P SPST ON-OFF		ON	

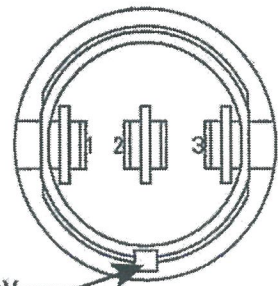


**MATERIAL:**

- Frame: Black, Nylon 66 (94-V2)
- Actuator: Black, PC (94-V2)
- Waterproof Rubber: Black Silicone
- Terminals: Silver plated, Copper alloy
- Printing: White
- Waterproof: IP65



Order Chart	
Series	Terminal Type
GRB112 A8 02 B B 72	Printing
Function	Actuator Color
Frame Color	



Orientation Key

**MASTER**

Tolerances +/- 0.3 Unless otherwise specified.

R13-1123A8-02-72

**CW INDUSTRIES**  
Southampton, Pa. 18966  
Tel 215.355.7080/www.cwind.com

Date Drawn: 11/03/22

Rev. 0

Unit: mm

Checked By: *G. GOLD*

Title: **ROCKER SWITCH**

CW P/N: **GRB112A802BB72**