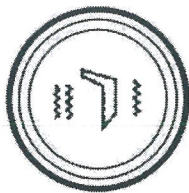


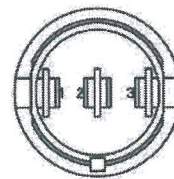
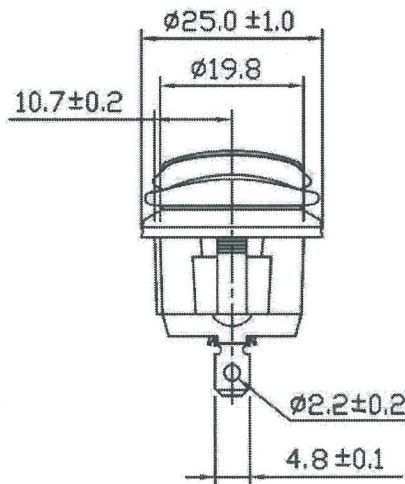
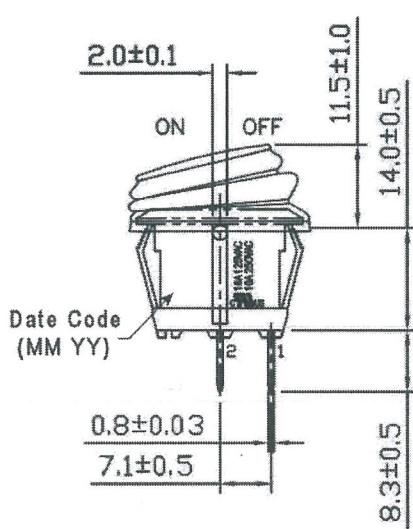
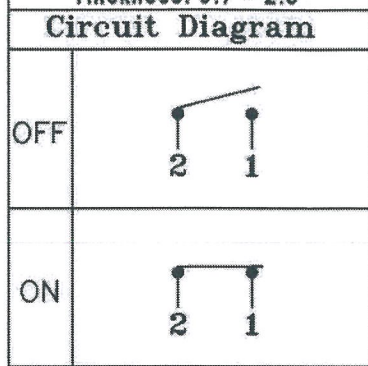
THIS INFORMATION IS CONFIDENTIAL AND PROPRIETARY TO CW INDUSTRIES INCORPORATED AND ITS AFFILIATES. IT MAY NOT BE DISCLOSED TO ANYONE, OTHER THAN CW INDUSTRIES PERSONNEL, WITHOUT WRITTEN AUTHORIZATION FROM CW INDUSTRIES INCORPORATED, SOUTHAMPTON, PENNSYLVANIA USA.

Rating	16A 125VAC		Mounting Hole
	10A 250VAC		
Contact Resistance	50m ohm Max.		
Insulation Resistance	DC 500V 100M ohm Min.		
Dielectric Strength	AC 1500V 1 minute		
Operation Temp.	-20°C ~ 85°C		
Switch Function	2P SPST ON-OFF		



MATERIAL:

- Frame: Black, Nylon #66
- Actuator: Black, PC
- Waterproof rubber: Black, Silicone
- Printing: White, Hot stamping
- Waterproof: IP 65



Order Chart					
Series	Terminal Type				
GRB112	A8	02	B	B	47
Function			Actuator Color		
Frame Color					

Tolerances +/- 0.3 Unless otherwise specified.

MASTER

R13-112A8-02

1 | Removed CW logo. DW 11/17/22.

cw INDUSTRIES
Southampton, Pa. 18966
Tel 215.355.7080/www.cwind.com

Date Drawn: 3/08/19

Rev. 1

Unit: mm

Checked By: *G. Gold*

Title: **ROCKER SWITCH**

CW P/N: **GRB112A802BB47**