
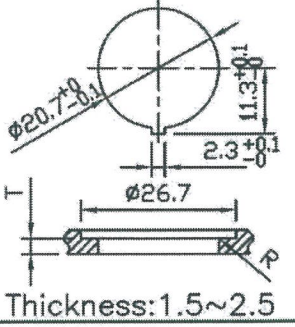
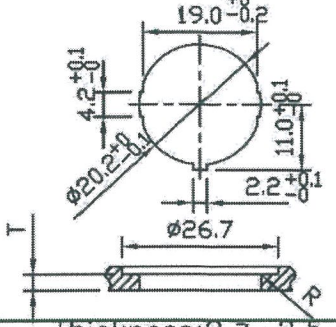


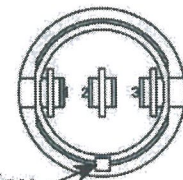
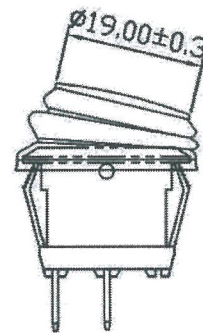
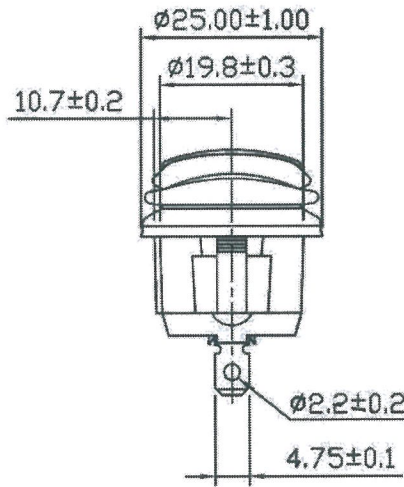
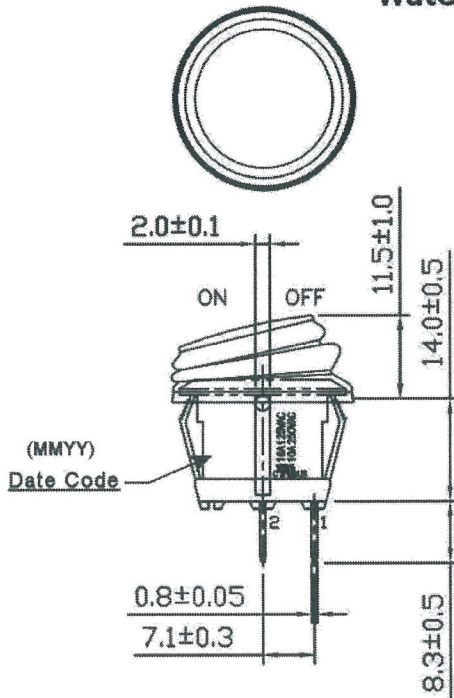
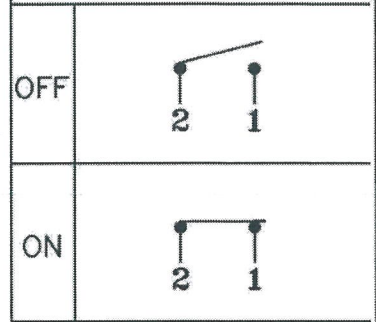
THIS INFORMATION IS CONFIDENTIAL AND PROPRIETARY TO CW INDUSTRIES INCORPORATED AND ITS AFFILIATES. IT MAY NOT BE DISCLOSED TO ANYONE, OTHER THAN CW INDUSTRIES PERSONNEL, WITHOUT WRITTEN AUTHORIZATION FROM CW INDUSTRIES INCORPORATED, SOUTHAMPTON, PENNSYLVANIA U.S.A.

Rating	16A 125VAC, 10A 250VAC 		
	20A 14VDC 10A 28VDC, 6A 14VT		
Contact Resistance	50m ohm Max.		
Insulation Resistance	DC 500V 100M ohm Min.		
Dielectric Strength	AC 1500V 1 minute		
Operation Temp.	-20°C ~ 85°C		
Switch Function	2P SPST ON-OFF		

MATERIAL:

Frame: Black, Nylon 66 (94-V2)
 Actuator: Black, PC (94-V2)
 Waterproof Rubber: Black, Silicone
 Terminals: Silver plated, Copper alloy
 Hot Stamping: None
 Waterproof: IP65

Circuit Diagram



Orientation Key

Order Chart					
Series			Terminal Type		
GRB112	A8	02	B	B	
Function		Frame Color		Actuator Color	

MASTER

RoHS Compliant

R13-112A8-02

3 Removed logo and relocated dated code. Added chart. DW 11/11/22
 2 Added Date Code. 1/28/11.

CW INDUSTRIES
 Southampton, Pa. 18966
 Tel 215.355.7080/www.cwind.com

Date Drawn: 6/23/06

Rev. 3

Unit: mm

Checked By: *G. GULD*

Title:

ROCKER SWITCH

CW P/N:

GRB112A802BB