

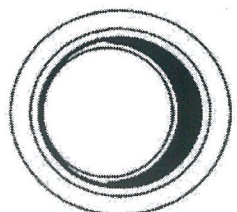
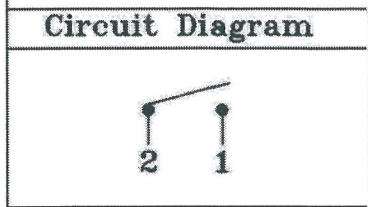
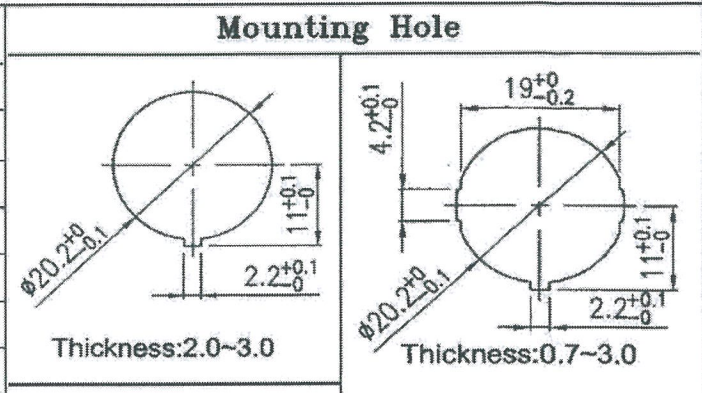
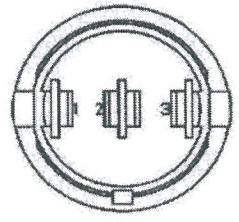
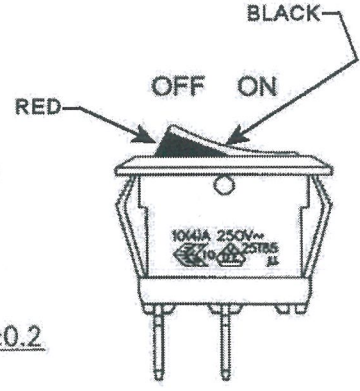
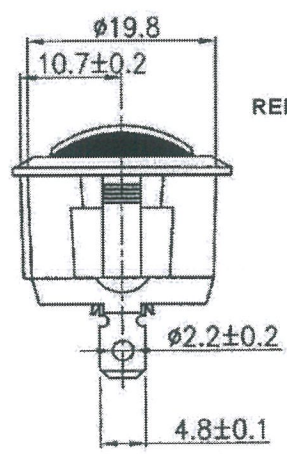
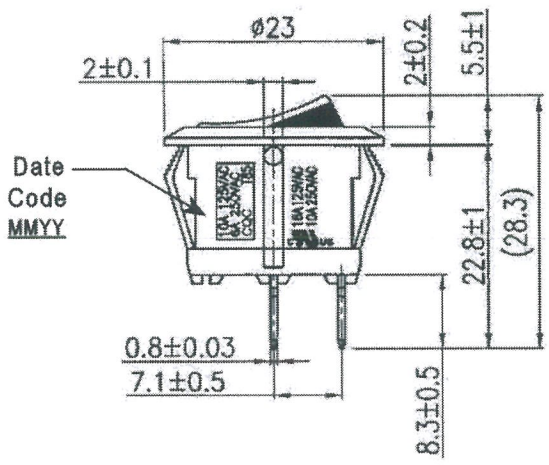


THIS INFORMATION IS CONFIDENTIAL AND PROPRIETARY TO CW INDUSTRIES INCORPORATED AND ITS AFFILIATES. IT MAY NOT BE DISCLOSED TO ANYONE, OTHER THAN CW INDUSTRIES PERSONNEL, WITHOUT WRITTEN AUTHORIZATION FROM CW INDUSTRIES INCORPORATED, SOUTHAMPTON, PENNSYLVANIA USA.

Rating	16A 125VAC, 10A 250VAC 
	10A 125VAC, 6A 250VAC CQC
	10(4)A 250V~ 25T85 
Contact Resistance	50m ohm Max.
Insulation Resistance	DC 500V 100M ohm Min.
Dielectric Strength	AC 1500V 1 minute
Operation Temp.	-25° C ~ 85° C
Switch Function	2P SPST ON-OFF



Material:
 Frame: Black, Nylon 66
 Actuator: Black/Red, Nylon 66
 Terminals: Copper Alloy



Tolerances Unless Otherwise Specified ±0.3

RoHS Compliant

R13-112A2-02

1 Removed CW logo & moved date code. DW 11/18/22

CW INDUSTRIES
 Southampton, Pa. 18966
 Tel 215.355.7080/www.cwind.com

Date Drawn: 6-10-16

Rev. 1

Unit: mm

Checked By: *G. GULD*

Title: **ROCKER SWITCH**

CW P/N: **GRB112A202**

MASTER