

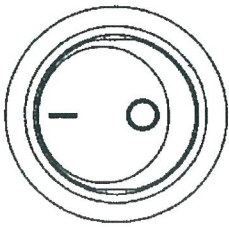
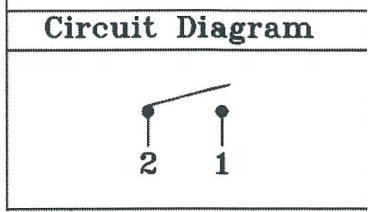
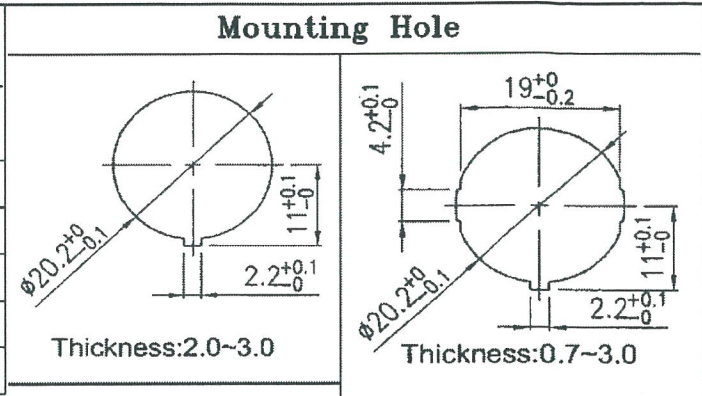
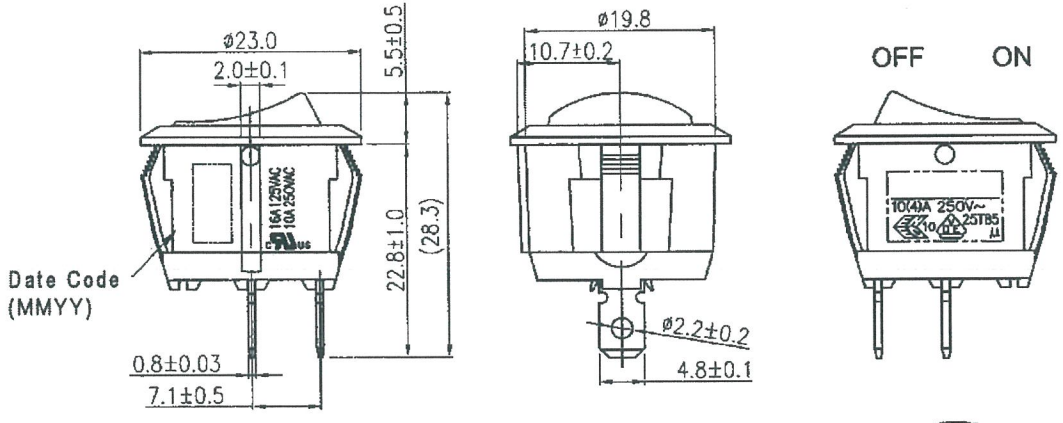


THIS INFORMATION IS CONFIDENTIAL AND PROPRIETARY TO CW INDUSTRIES INCORPORATED AND ITS AFFILIATES. IT MAY NOT BE DISCLOSED TO ANYONE, OTHER THAN CW INDUSTRIES PERSONNEL, WITHOUT WRITTEN AUTHORIZATION FROM CW INDUSTRIES INCORPORATED, SOUTHAMPTON, PENNSYLVANIA USA.

Rating	16A 125VAC, 10A 250VAC 
	10(4)A 250V~ 25T85 
Contact Resistance	50m ohm Max.
Insulation Resistance	DC 500V 100M ohm Min.
Dielectric Strength	AC 1500V 1 minute
Operation Temp.	-25° C ~ 85° C
Switch Function	2P SPST ON-OFF



Material:
 Frame: Black, Nylon 66 (94-V2)
 Actuator: Black, Nylon 66 (94-V2)
 Terminals: Silver plated, Copper alloy
 Hot Stamping: Color- White




Order Chart

Series	Terminal Style	
GRB112	A 02 B B 72	Hot Stamping
Function	Actuator Color	Frame Color

Tolerances Unless Otherwise Specified ±0.3

MASTER

R13-112A2-02	1 Removed CW logo. DW 11/17/22.			
 CW INDUSTRIES Southampton, Pa. 18966 Tel 215.355.7080/www.cwind.com	Date Drawn: 6/14/19	Rev. 1	Unit: mm	Checked By: <i>G. GULD</i>
	Title: ROCKER SWITCH		CW P/N: GRB112A02BB72	